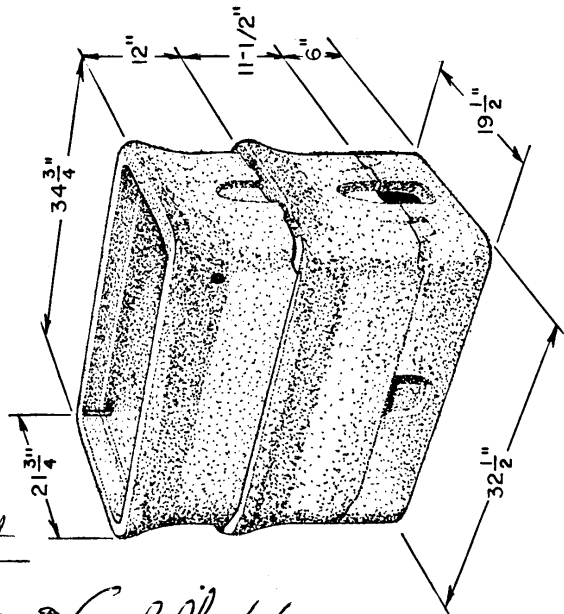
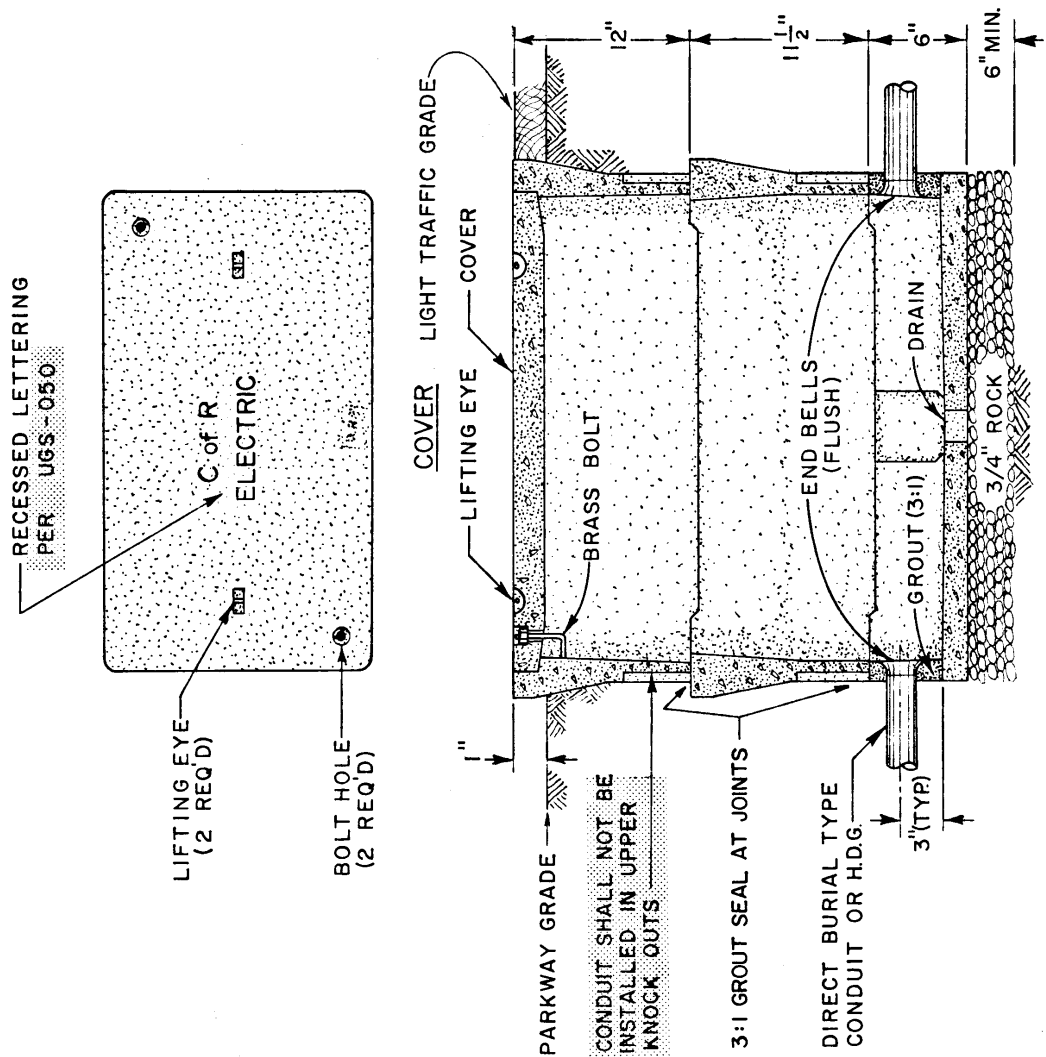


ELECTRICAL SERVICE BOX  
INSTALLATION  
(FLOORED)

RIVERSIDE PUBLIC UTILITIES DEPT.- UNDERGROUND STRUCTURES



ASSEMBLY SKETCH  
(COVER NOT SHOWN)

ITEM NUMBER ESB-7 SEE UGS - 009

NOTE:

1. BOTTOM OF EXCAVATION TO BE COMPACTED TO 90 % BEFORE SETTING BOX.
2. FOR LIGHT TRAFFIC INSTALLATION SET TOP OF BOX 1/4" ABOVE GRADE AND USE TRAFFIC COVER

INSTALLATION  
DETAIL

revision  
  
 GEN. SUPT. CHIEF ENGINEER 7/5/62

INDICATES LATEST REVISION