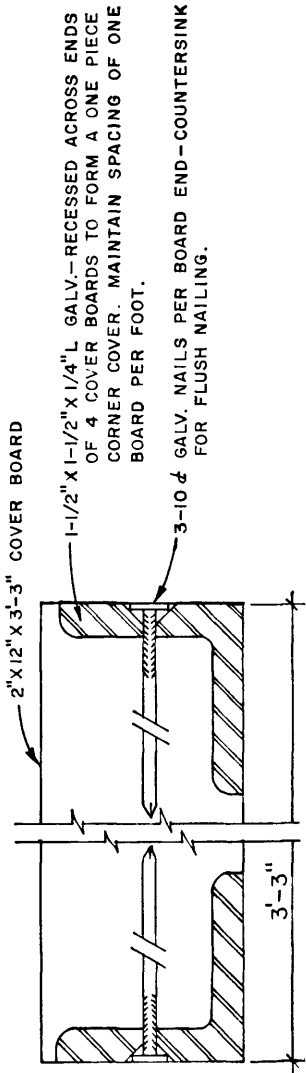


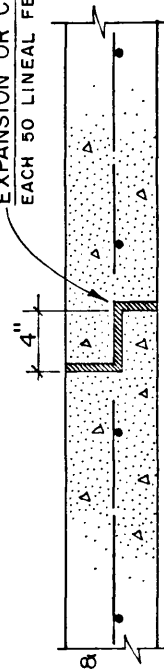
GET AWAY TRENCH (NON-TRAFFIC TYPE)

RIVERSIDE PUBLIC UTILITIES DEPT.-UNDERGROUND STRUCTURES

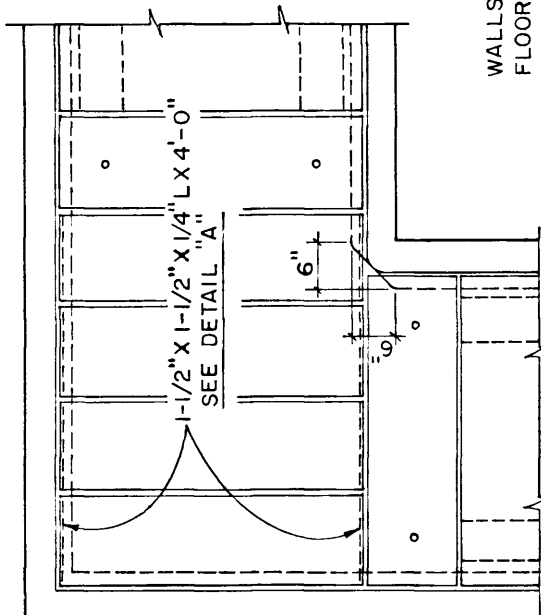


EXPANSION OR CONSTRUCTION JOINT ONE REQUIRED FOR EACH 50 LINEAL FEET OF TRENCH. FOR TRENCH UP TO 100 FT. LOCATE JOINT APPROX. AT HALF DIMENSION POINT BUT AT LEAST 24" CLEAR FROM ANY DUCT ENTRANCE.

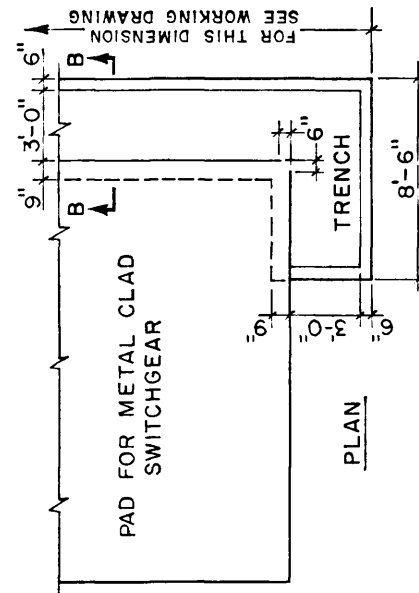
OFFSET TO BE AT PLANE OF REINFORCING



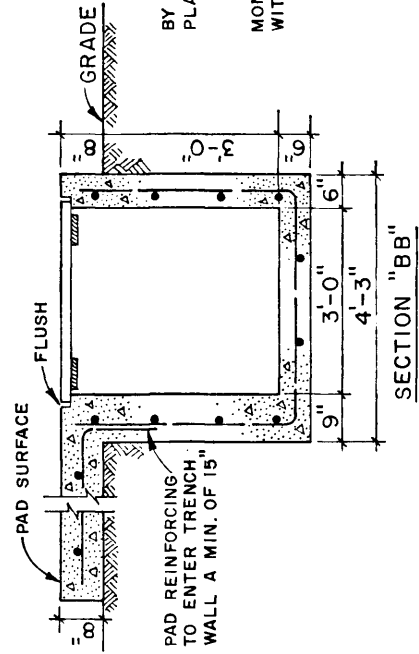
WALLS
FLOOR



TRENCH CORNER COVER ARRANGEMENT



TYPICAL CABLE TRENCH ADJACENT TO METAL CLAD UNIT



TRENCH FORMING & POURING

FORMS FOR TRENCH SHALL BE SUPPORTED BY CONCRETE BLOCKS WHICH WILL BE LEFT IN PLACE.

POURING OF WALLS AND FLOOR TO BE MONOLITHIC. FLOOR TO BE FINISHED SMOOTH WITH DRAINAGE AS INDICATED ON SHEET NO. 1

FOR CONCRETE SPECS. SEE UGS-015 NO. 4000