

STANDPIPE VENT (POLYETHYLENE)

UGS

REVISION: Existing Detail (Standpipe Vents with Meter Pipe)
 Replaced with Reformatted Details from UGS-231.1

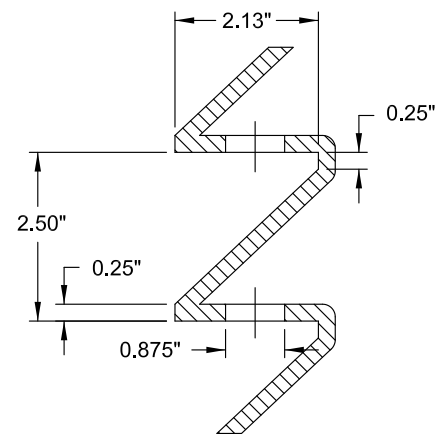
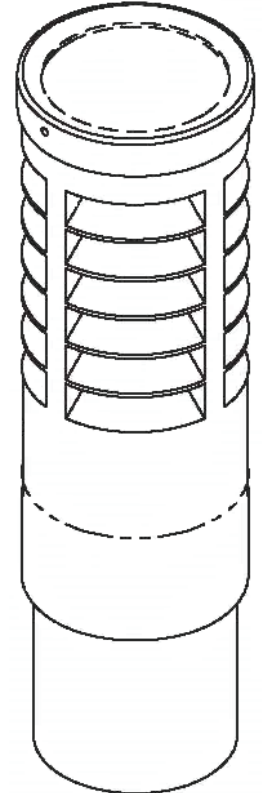
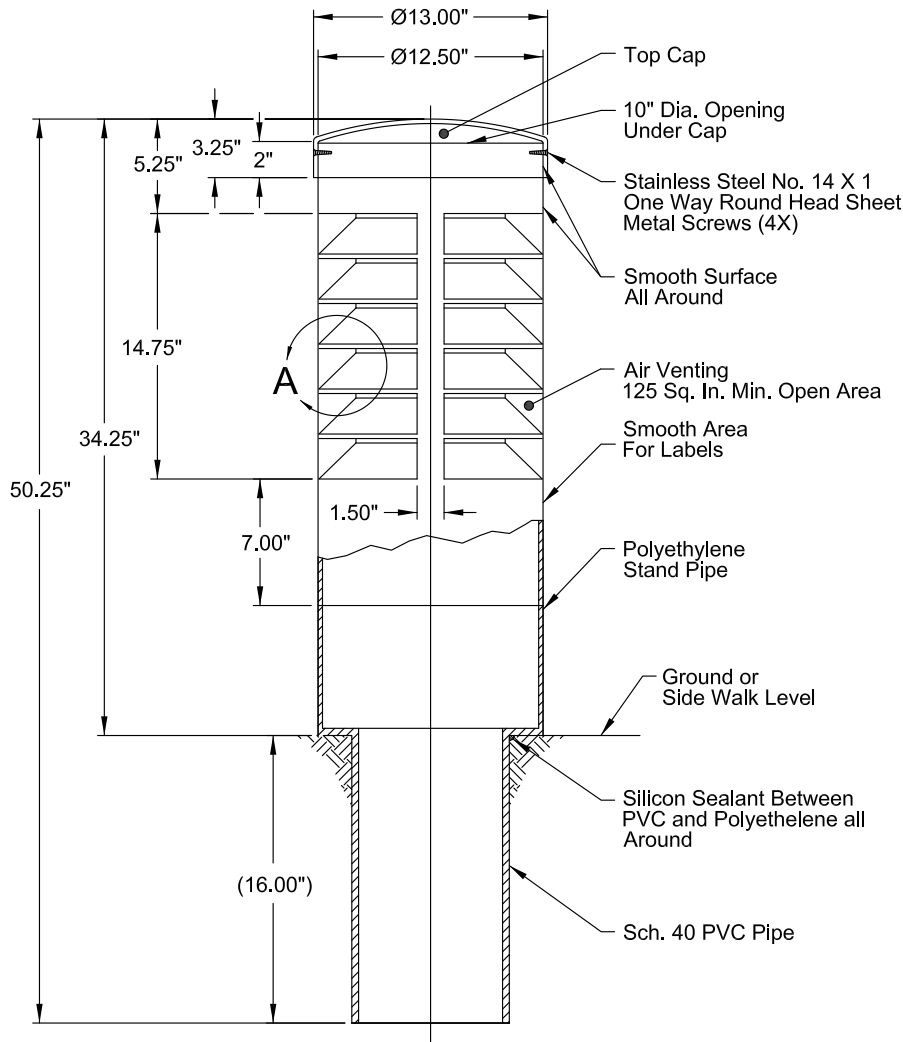
CHECKED BY (ENGINEERING): JRS

DATE: 11/01/18

CHECKED BY (FIELD): JH

APPROVED BY: *Stephen E. Saford*

PREPARED BY: SJR



Detail A

Notes:

1. Vent pipe shall be made of polyethylene with a 0.25" wall thickness.
2. Vent pipe shall have a sandstone finish for the 10" vent and granite finish for the 8" vent. Painted vents are not acceptable.
3. The Manufacture Shall be Armorcast Products Co.
 - 8" Vent has Part No. P6002708GRT-KIT
 - 10" Vent has Part No. P6002710SND-KIT
4. Install per UGS-232.1