

VAULT REQUIREMENTS (PRECAST)

REVISION: Updated Table & Notes

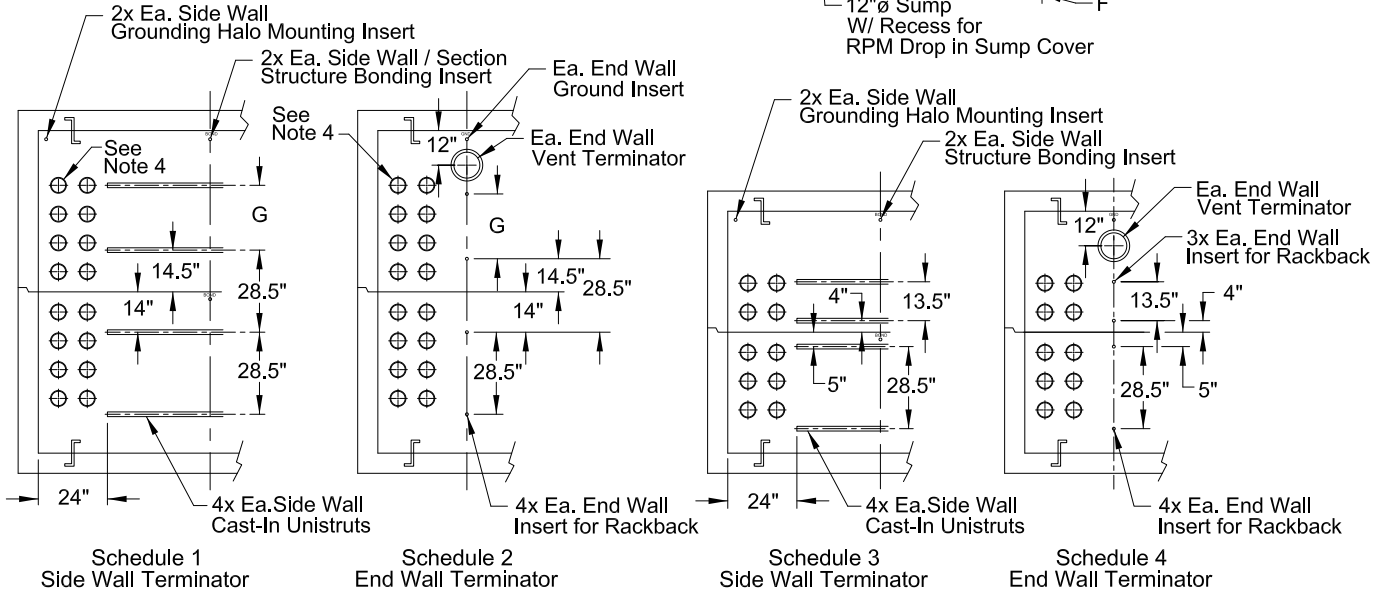
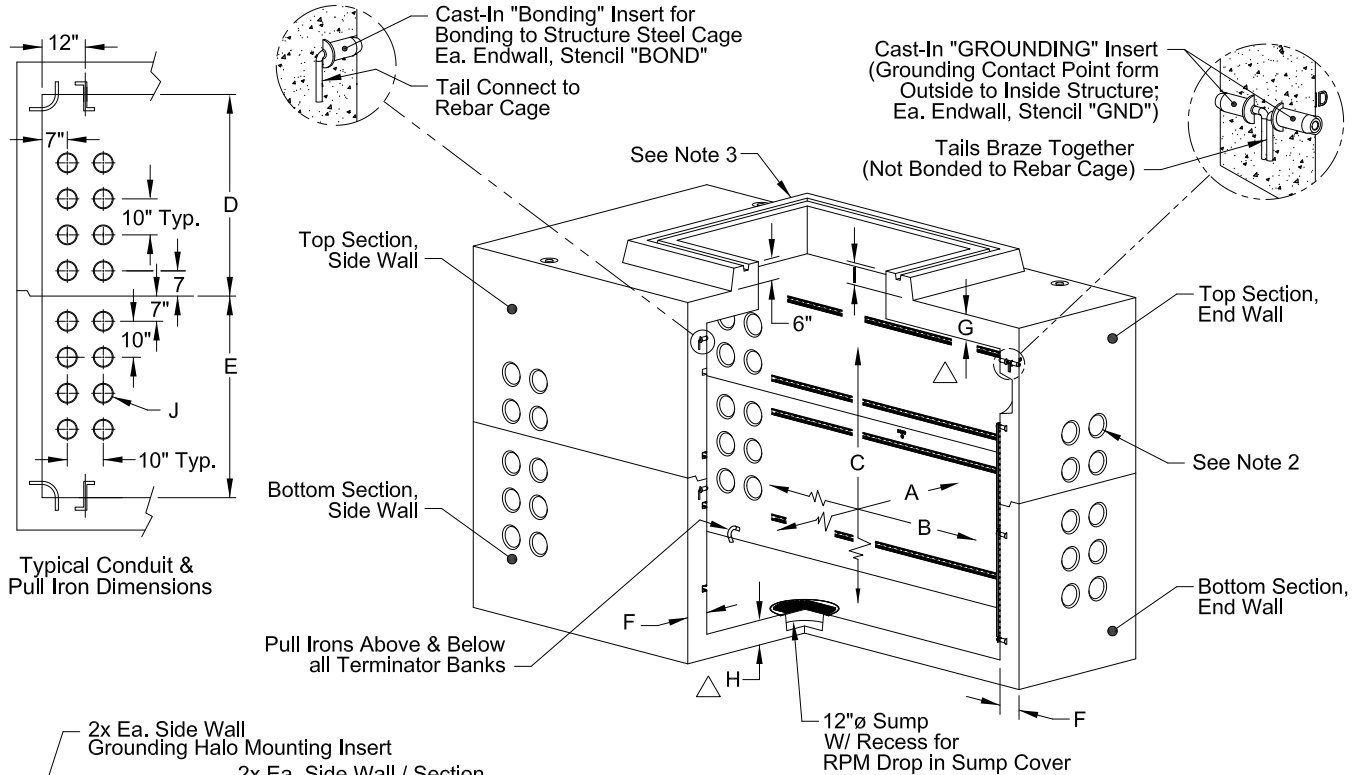
CHECKED BY
(ENGINEERING): SJ

DATE: 04/17/17

CHECKED BY
(FIELD): RJ

PREPARED BY: SJR

APPROVED BY: *Stephen E. Sanford*



Item No.	Nominal Size "Inside" (Depth x Width x Height)	Terminator Schedule		Dimensions						
		Side Wall	End Wall	A	B	C	D	E	F	G
13	6' x 12' x 7' Vault	3	4	72"	144"	84"	42"	42"	5"	-
14	7' x 14' x 8' Vault (See Note 4)	1	2	84"	168"	96"	48"	48"	5"	13.5"
15	8' x 14' x 9' 4" Vault	1	2	96"	168"	112"	56"	56"	5"	22.5"
16	8' x 16' x 9' 4" Vault	1	2	96"	192"	112"	56"	56"	5"	22.5"
17	8' x 20' x 9' 4" Transmission Vault	1	2	96"	240"	112"	56"	56"	6"	22.5"

- Notes:
- See UGS-005 for RPU Approved manufacturers of precast Vault structures and catalog numbers.
 - Top Endwall terminator approximate depth is 39" (with & 12" Neck).
 - Be sure to specify if offset vault opening is required for proper street installation location.
 - Item No. 14 Top section duct bank to have 3 rows vertically (4 shown).
 - Precast Structure shall include method to install grounding halo.