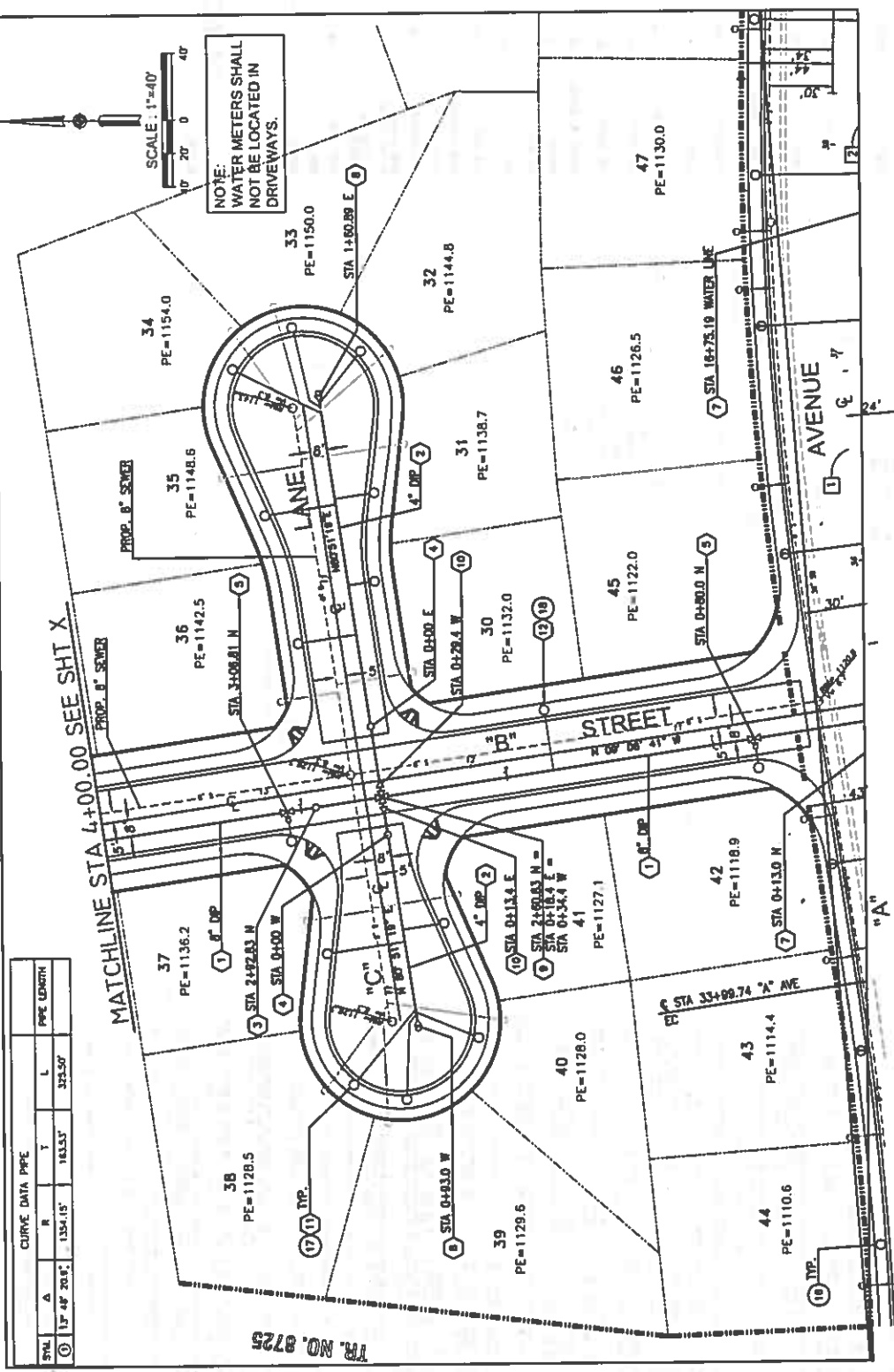




0	DRAWN	DATE	CHECK	APPROV.	DRAWN	DATE	CHECK	APPROV.	DRAWN	DATE	CHECK	APPROV.	DRAWN	DATE	CHECK	APPROV.
	MMC	10-09			1				2				3			



CURVE DATA PIPE			
STA.	A	R	L
1	137.48	204.5	1354.15
2	183.53		323.50

WATER  
DISTRIBUTION & TRANSMISSION  
CONSTRUCTION METHODS

TYPICAL PLAN LAYOUT

NOTE: THIS SYSTEM SERVED BY \_\_\_\_\_ ZONE.

PROJECT NAME  
WATER IMPROVEMENT PLANS

CITY OF RIVERSIDE  
PUBLIC UTILITIES DEPARTMENT  
WATER DIVISION

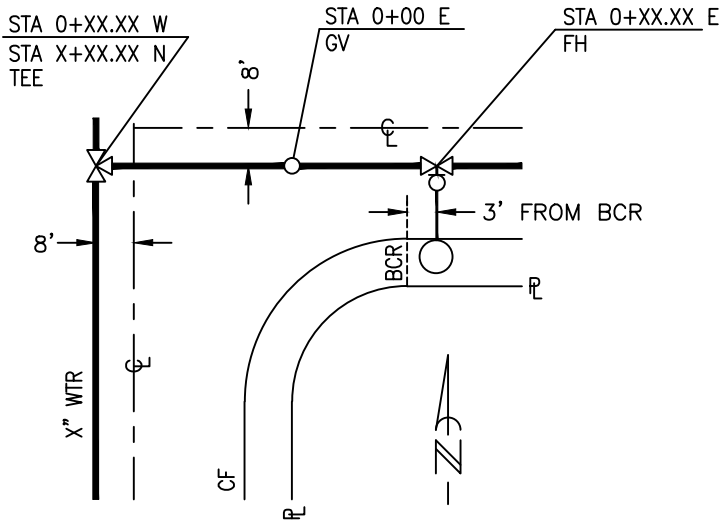
ENGINEERING COMPANY TITLE  
BLOCK INCLUDE ENGINEERS  
SIGNATURE AND STAMP

APPROVED BY:  
FIRE HYDRANT LOCATION ONLY

CITY OF RIVERSIDE  
PUBLIC UTILITIES DEPARTMENT  
OVERHEAD & UNDERGROUND

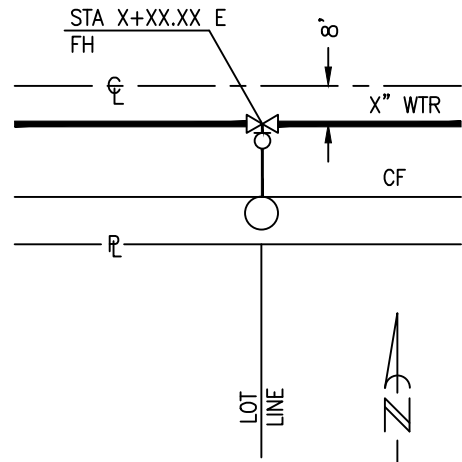
UNDERGROUND SERVICE ALERT  
CALL TOLL FREE  
1-800  
227-2600  
NO WORKING BEFORE YOU GO

POWER BOOK  
DRAWING NO  
D5-XXXXXX  
SHEET 1 OF 1  
SCALE: AS SHOWN  
DATE: \_\_\_\_\_

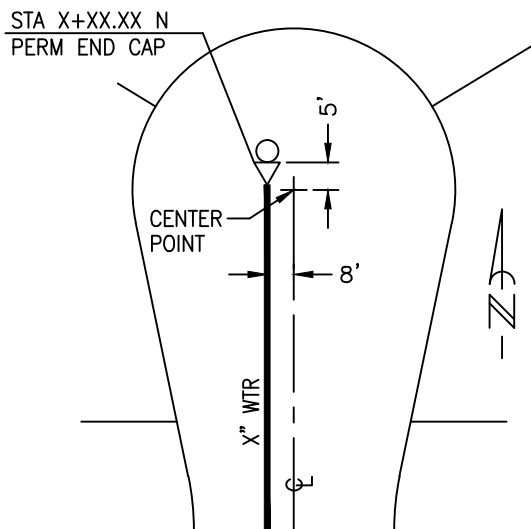


INTERSECTIONS

FIRE HYDRANT LOCATIONS

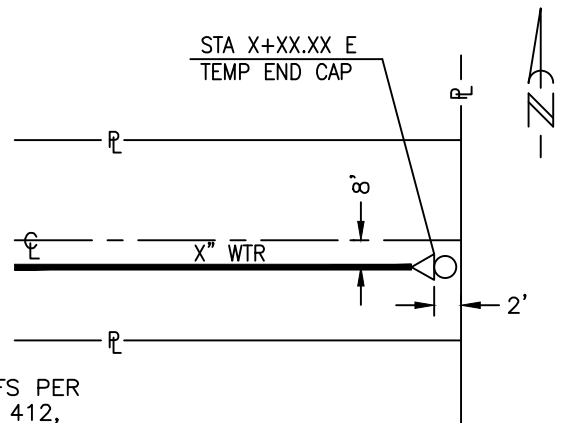


LOT LINES



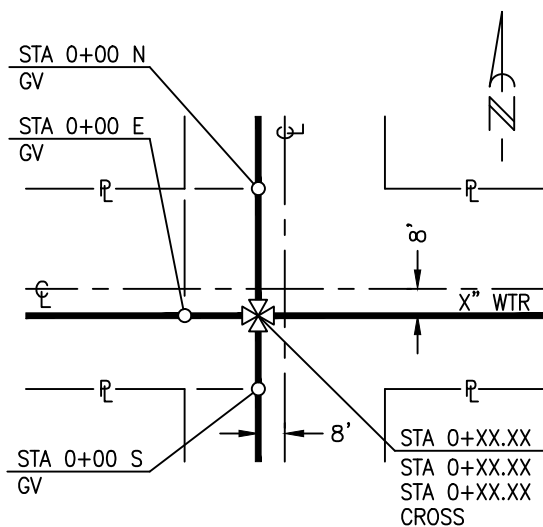
CUL-DE-SAC

END OF MAIN



DEAD-END

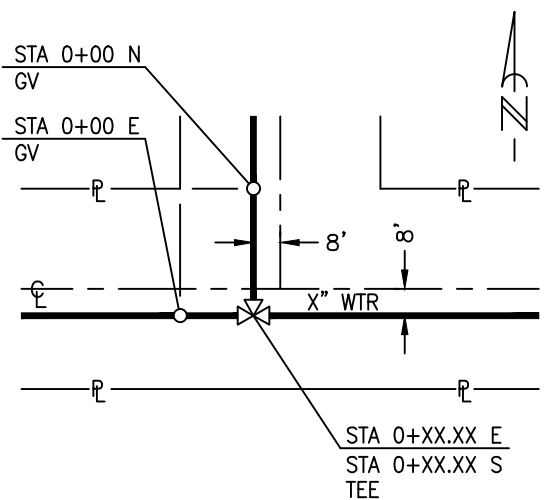
NOTE:  
TYPICAL BLOW-OFFS PER  
CWD-411A, 411B, 412,  
OR 413



FOUR-WAY

VALVE LOCATION

NOTE:  
VALVES SHALL BE  
LOCATED ON THE  
EXTENSION OF  
PROPERTY LINES



THREE-WAY



WATER DISTRIBUTION & TRANSMISSION  
PIPELINE CONSTRUCTION METHODS

TYPICAL PLAN DETAIL