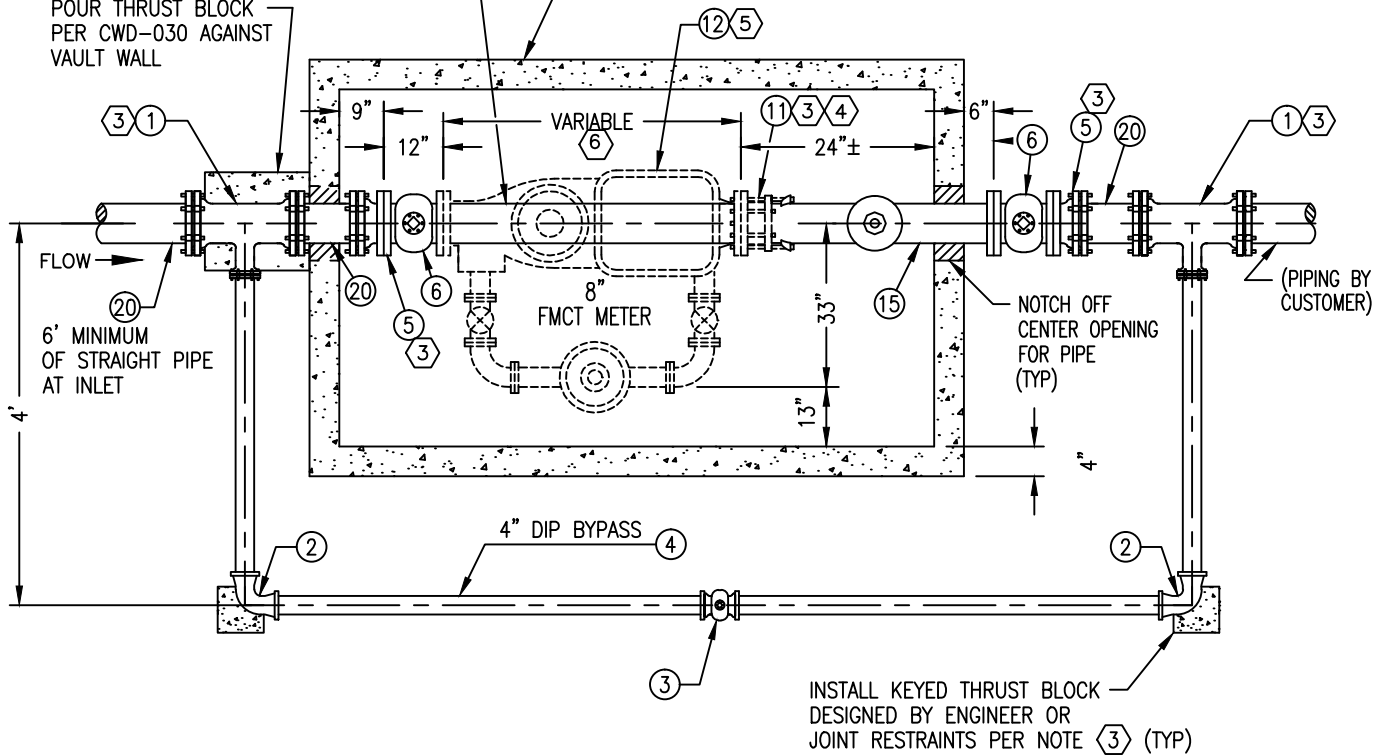


4 TEMPORARY 8" STL PIPE, CTF

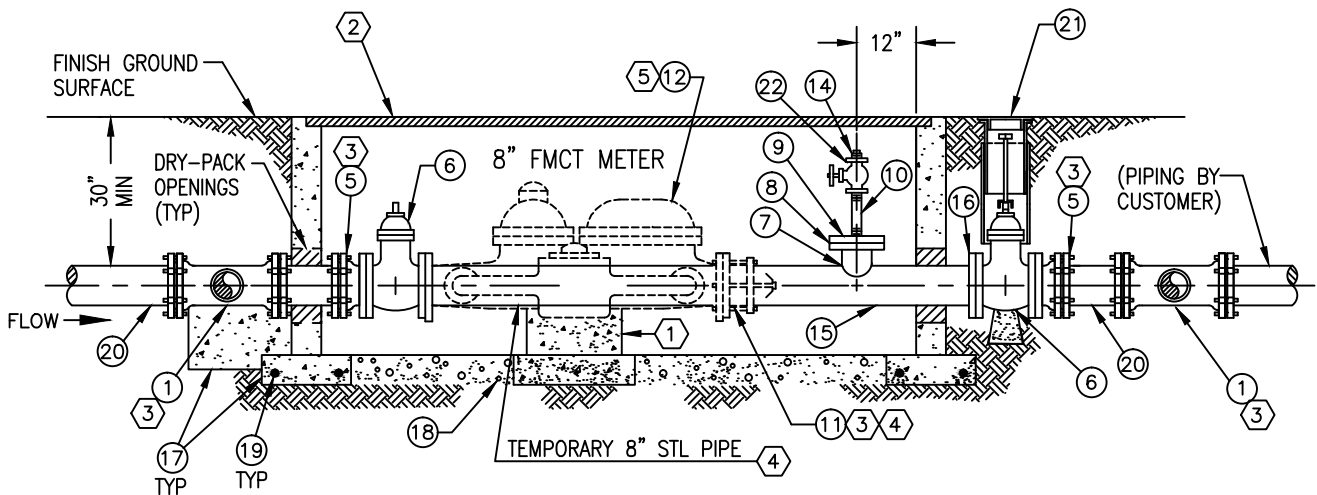
NOTE: SEE CWD-621-2 FOR MATERIAL LIST

POUR THRUST BLOCK
PER CWD-030 AGAINST
VAULT WALL

13 VAULT AND COVER PER CWD-801-1 & 801-2



PLAN VIEW



PROFILE VIEW

GENERAL NOTES:

- 1 SUPPORT METER ON CONCRETE PAD AND CONCRETE BLOCK.
- 2 ADJUST VAULT AND COVER TO MEET SIDEWALK AND CURB GRADE. PAINT PER CONSTRUCTION SPECIFICATION SECTION 310.
- 3 RESTRAIN ALL MECHANICAL JOINTS PER CONSTRUCTION SPECIFICATIONS.
- 4 CONTRACTOR SHALL INSTALL ALL PIPE, FITTINGS, AND MATERIALS BETWEEN THE TAPPING GATE AND "PIPING BY CUSTOMER", INCLUDING TEMPORARY FLANGE COUPLING CONNECTION AT THE INFLUENT VALVE. LOCATION.
- 5 CITY FORCES WILL FURNISH AND INSTALL 8" FMCT METER AND FAB METER READING LID.
- 6 VARIABLE LENGTH IS PER MANUFACTURER'S REQUIREMENTS.



WATER DISTRIBUTION & TRANSMISSION
PIPELINE CONSTRUCTION METHODS

8" FMCT WATER SERVICE

BILL OF MATERIALS		
ITEM	QUANTITY	REFERENCE
① 8" x 4" TEE (MJ X MJ)	2	
② 4" - 90° ELL (MJ X MJ)	2	
③ 4" RW GATE VALVE (MJ X MJ)	1	
④ 4" DI PIPE	23 FT±	
⑤ 8" FL X MJ ADAPTER W/ 8" FL INSULATION KIT	2	
⑥ 8" GATE VALVE (FL X FL)	2	
⑦ 6" MORTAR LINED STEEL PIPE (FL X PE)	1 FT	
⑧ 6" WELD FLANGE	1	
⑨ 6" BLIND FLANGE W/ 2" IPT TAP	1	
⑩ 2" X 12" GALV NIPPLE	1	
⑪ 8" FLANGED COUPLING ADAPTER	1	
⑫ 8" COMPOUND METER	1	
⑬ VAULT AND COVER	1	CWD-801-1,2
⑭ 2" GALVANIZED PLUG	1	
⑮ 8" STL PIPE (SCHEDULE 40)	7 FT±	
⑯ 8" WELD FLANGE	1	
⑰ CONCRETE PCC 480-C-2000	20 CU FT±	
⑱ 3/4" CRUSHED ROCK (6" DEEP LAYER)	28 CU FT	
⑲ NO 4 REBAR	64 FT±	
⑳ 8" DI PIPE	VARIABLE	
㉑ 8" GATE BOX MATERIAL	1	CWD-500
㉒ 2" RW GATE VALVE W/ 2" NUT	1	



WATER DISTRIBUTION & TRANSMISSION
PIPELINE CONSTRUCTION METHODS

BILL OF MATERIALS FOR
8" FMCT WATER SERVICE