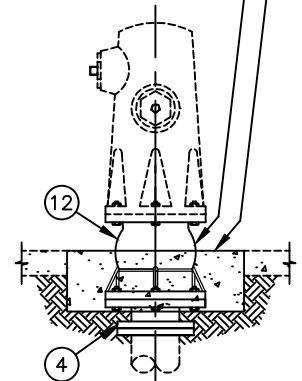
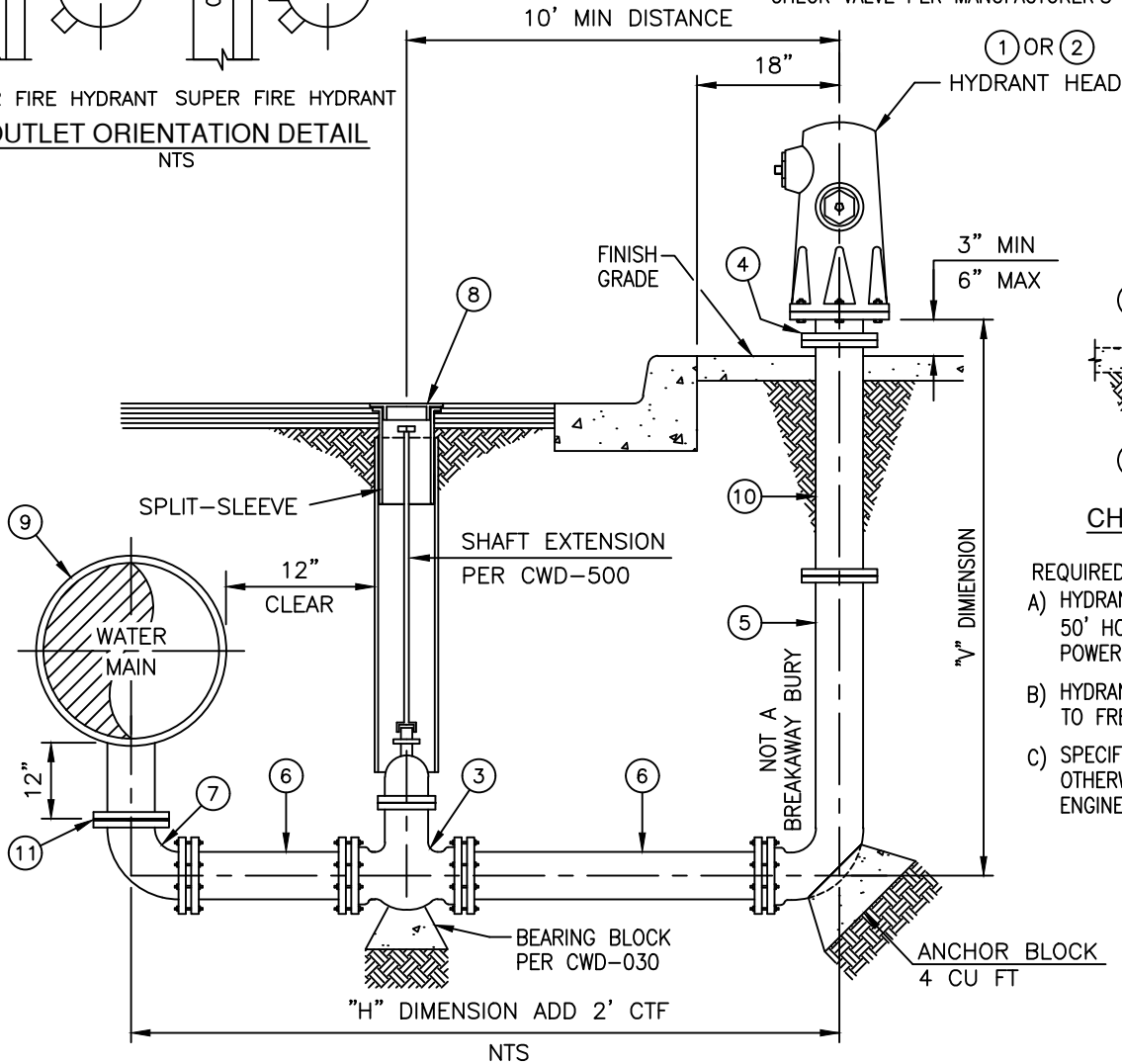


8" THICK CONCRETE COLLAR, 1' FROM FH EDGE TO OUTSIDE EDGE.
FINISH SURFACE SHALL BE BELOW CONNECTING BOLTS/NUTS.
INSTALLATION MAY VARY PER MANUFACTURER'S RECOMMENDATIONS.

CHECK VALVE PER MANUFACTURER'S RECOMMENDATIONS.



REQUIRED IF:

- A) HYDRANT HEAD IS LOCATED WITHIN 50' HORIZONTAL OF OVERHEAD POWER LINES;
- B) HYDRANT HEAD IS ADJACENT TO FREEWAY;
- C) SPECIFIED ON THE PLANS, OR AS OTHERWISE REQUIRED BY THE ENGINEER.

BILL OF MATERIALS

ITEM	QUANTITY	REFERENCE
① STANDARD HYDRANT : 1 - 2 1/2", 1 - 4"	1	CWD-700
② SUPER HYDRANT : 2 - 2 1/2", 1 - 4"	1	CWD-700
③ 6" RW GATE VALVE (MJ x MJ)	1	CWD-500
④ 6" FLANGED ADAPTER, 8 HOLE TO 6 HOLE	1	
⑤ 6" x 48" DI BURY (FL x MJ)	1	
⑥ 6" DIP AS REQUIRED (W/ RESTRAINED MJ ADAPTERS)		
⑦ 6" DI 90° ELL (LONG RADIUS) (FL x MJ)	1	
⑧ 8" GATE BOX CAP, GALV SPLIT-SLEEVE, 12 GA STL PIPE	1	CWD-515
⑨ 6" FLANGED TEE OR 6" FLANGED OUTLET	1	
⑩ 6" x VARIABLE, DIP SPOOL, NON BREAKAWAY, (FL x FL)	1	
⑪ 6" FLANGE INSULATION KIT	1	
⑫ AVK FLOWGUARD II BREAK-OFF CHECK VALVE, OR APPROVED EQUAL.	1	

NOTES:

- 1.) STANDARD OR SUPER HYDRANT PER PLANS AND SPECIFICATIONS.
- 2.) BREAK-OFF BOLTS REQUIRED BETWEEN HYDRANT AND FLANGE. INSTALL PER SPECIFICATIONS.
- 3.) HYDRANT HEAD OUTLETS SHALL FACE STREET.
- 4.) TOP OF HYDRANT HEAD BLOW-OFF TO BE PAINTED BLUE #315-15 BY FULLER O'BRIEN CO. OR DEPARTMENT APPROVED EQUAL.
- 5.) "H" AND "V" DIMENSION AS SHOWN ON PLAN.
- 6.) BREAKAWAY SPOOLS OR BURY ARE NOT ALLOWED.



WATER DISTRIBUTION & TRANSMISSION
PIPELINE CONSTRUCTION METHODS

6" HYDRANT HEAD BLOW-OFF
DI BURY
24" MAIN AND SMALLER