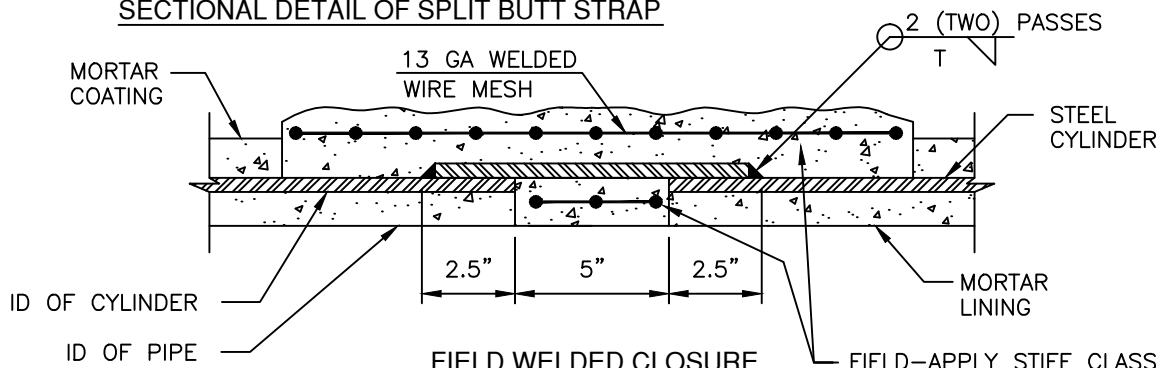


SECTIONAL DETAIL OF SPLIT BUTT STRAP



FIELD WELDED CLOSURE

NOTES:

- SHIP IN HALVES AND WELD IN FIELD
- | PIPE SIZE | HANDHOLES |
|-----------------|-----------|
| 8" THROUGH 12" | 1 |
| 14" THROUGH 18" | 2 |
| 20" THROUGH 36" | 4 |
| 42" THROUGH 54" | 6 |

FIELD-APPLY STIFF CLASS C CEMENT MORTAR COATING, PER "STANDARD SPECIFICATIONS FOR PUBLIC WORKS CONSTRUCTION" SEC 201-5 REINFORCED WITH 2" x 4" x 13 GA WELDED WIRE MESH

NOTE:

- AFTER THE ASSEMBLY, ALL BARE METAL TO HAVE SAME COATING APPLIED AS IS ON THE PIPE.
- ALL WELDS ARE FULL DOUBLE PASS WELDS.



WATER DISTRIBUTION & TRANSMISSION PIPELINE CONSTRUCTION METHODS

TYPICAL SPLIT BUTT STRAP
8" THROUGH 54" DIAMETER
(150 PSI DESIGN PRESSURE)