

REFER TO: SPECIFICATION 205
 APPENDIX 1 - DESIGN CRITERIA SECTION 3.05 GENERAL NOTES
 GENERAL NOTES

REFER TO SPECIFICATION 205
 APPENDIX 1 - DESIGN CRITERIA
 SECTION 3.05 GENERAL NOTES

PROVIDE A VICINITY MAP
 SHOWING PROJECT LOCATION,
 NORTH ARROW AND SCALE

PROVIDE AN INDEX MAP AT A SCALE OF 1" = 100' SHOWING
 PROPOSED IMPROVEMENTS AND PLAN SHEET INDEX
 (REQUIRED WHEN PLAN HAS 2 OR MORE SHEETS)

BILL OF MATERIALS

ITEM	QTY	STD. DWG. REFERENCE
1. 8" DIP CLASS 500	4,018 LF.	CWD-040
2. 1" WATER SERVICE ASSEMBLY	10 EA.	CWD-600
3. 2" WATER SERVICE ASSEMBLY	1 EA.	CWD-601
4. FIRE HYDRANT ASSEMBLY	7 EA.	CWD-700
5. 8" 8"x 8" TEE	1 EA.	
6. 8" - 11 1/4" ELBOW	1 EA.	
7. 8" - 22 1/2" ELBOW	1 EA.	
8. 8" - 30" ELBOW	2 EA.	
9. 8" - 45" ELBOW	1 EA.	CWD-615
10. 8" FIRE SERVICE ASSEMBLY	1 EA.	CWD-412
11. 8" TEMPORARY END CAP	1 EA.	CWD-412
12. 2" AIR VALVE	1 EA.	CWD-500, 515
13. 8" GATE VALVE	2 EA.	CWD-500, 515
14. END CAP WITH 2" BLOW-OFF ASSEMBLY	2 EA.	CWD-411

CITY FORCES INSTALLATIONS

ITEM	QTY
20. 8"x 8" HOT TAP CONNECTION	1 EA.
21. 8" STRAIGHT-IN CONNECTION	2 EA.
22. 1" WATER SERVICE ASSEMBLY	10 EA.
23. EXTEND FIRE HYDRANT	1 EA.
24. 3/4" DOMESTIC METER SET	10 EA.
25. 2" LANDSCAPE METER SET	1 EA.

LEGEND	EXISTING	PROPOSED
ITEM		
AIR VALVE		
CHECK VALVE		
CROSS		
DOMESTIC COMPOUND WATER SERVICE		
DISHED-HEAD		
ELBOW		
END CAP W/ BO		
FIRE HYDRANT		
FIRE SERVICE		
MANHOLE W/MANWAY		
REDUCER		
TAP SLEEVE		
TEE		
TEST LEADS		
TRACT BOUNDARY		
WATER LINE		
WATER SERVICE		
WATER SERVICE (BY CITY FORCES)		
WATER SERVICE (LANDSCAPE)		
WATER VALVE		

- CABLE TV
- ELECTRIC
- GAS
- SEWER
- STORM DRAIN
- TELEPHONE

NOTE: THIS SYSTEM SERVED BY _____ ZONE.

PROJECT NAME	WATER IMPROVEMENT PLANS
DRAWING NO.	D5-XXXXXX
SHEET 1 OF X	
SCALE	AS SHOWN

CITY OF RIVERSIDE
 PUBLIC UTILITIES DEPARTMENT
 WATER DIVISION

DATE	
APPROVED BY	
DESIGNED BY	
CHECKED BY	
DATE	

ENGINEERING COMPANY TITLE
 BLOCK INCLUDE ENGINEERS
 SIGNATURE AND STAMP

APPROVED BY:
 FIRE HYDRANT LOCATION ONLY

CITY OF RIVERSIDE
 PUBLIC UTILITIES DEPARTMENT
 WATER DIVISION

UNDERGROUND SERVICE ALERT
 CALL TOLL FREE:
 1-800-227-2600
 TWO WORKING DAYS BEFORE YOU DIG

BENCHMARK:
 BENCHMANS CORP'S AND LAND SERVICES DIVISION OF THE
 PUBLIC WORKS DEPARTMENT, 957-528-3411, FOR THE CITY APPROVED
 BENCHMARK.

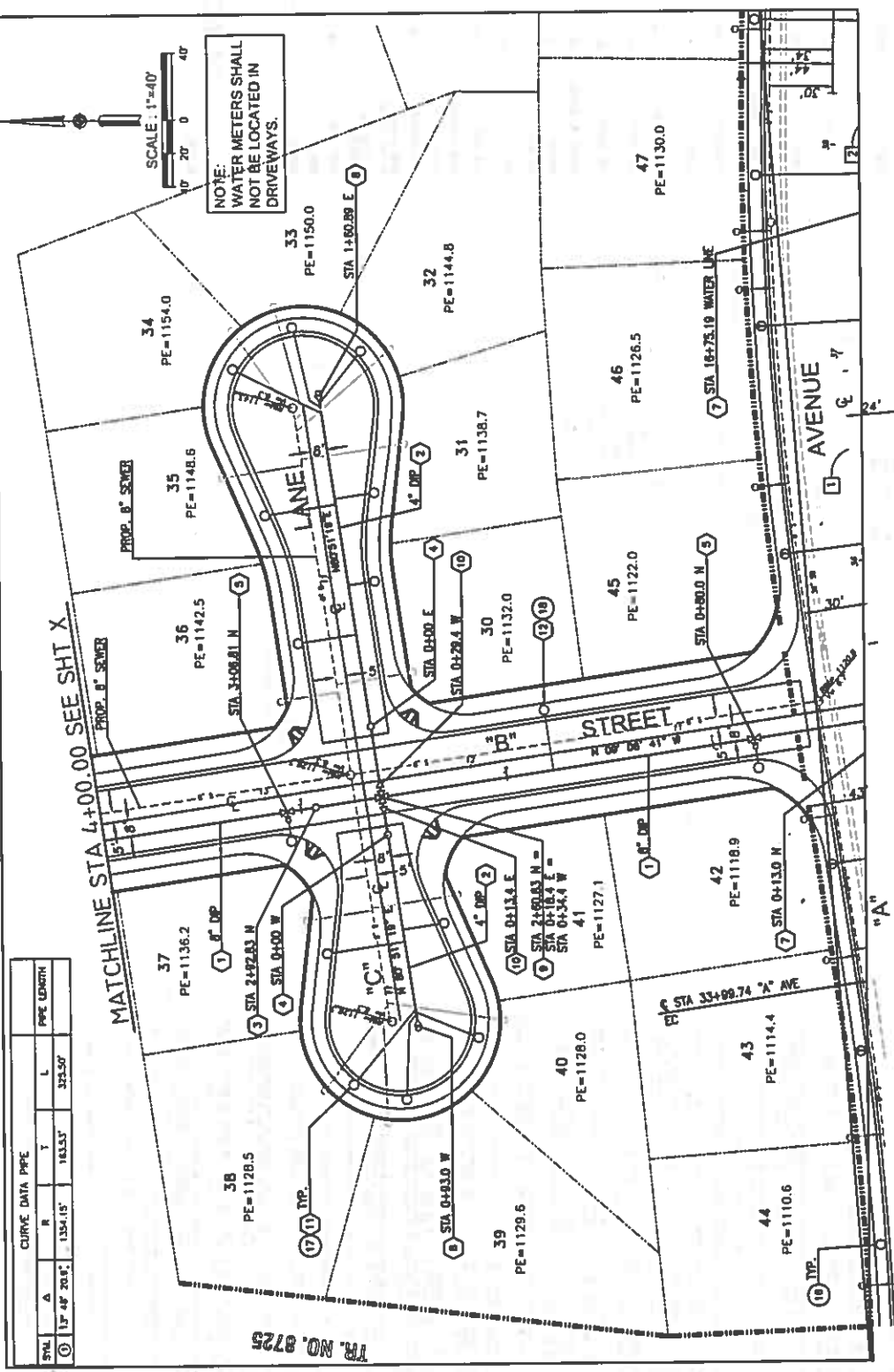
BASIS OF BEARINGS:
 PROVIDE THE BASIS OF BEARINGS FOR THE PROJECT.



WATER DISTRIBUTION & TRANSMISSION
 PIPELINE CONSTRUCTION METHODS

TYPICAL COVER SHEET

0	DRAWN	DATE	CHECK	APPROV.	DRAWN	DATE	CHECK	APPROV.	DRAWN	DATE	CHECK	APPROV.	DRAWN	DATE	CHECK	APPROV.
	MMC	10-09			1				2				3			



STA.	A	R	T	L	PIPE LENGTH
1	137.48	204.5	1354.15	1833.5	323.50'

**WATER
DISTRIBUTION & TRANSMISSION
CONSTRUCTION METHODS**

TYPICAL PLAN LAYOUT

NOTE: THIS SYSTEM SERVED BY _____ ZONE.

PROJECT NAME: WATER IMPROVEMENT PLANS

CITY OF RIVERSIDE
PUBLIC UTILITIES DEPARTMENT
WATER DIVISION

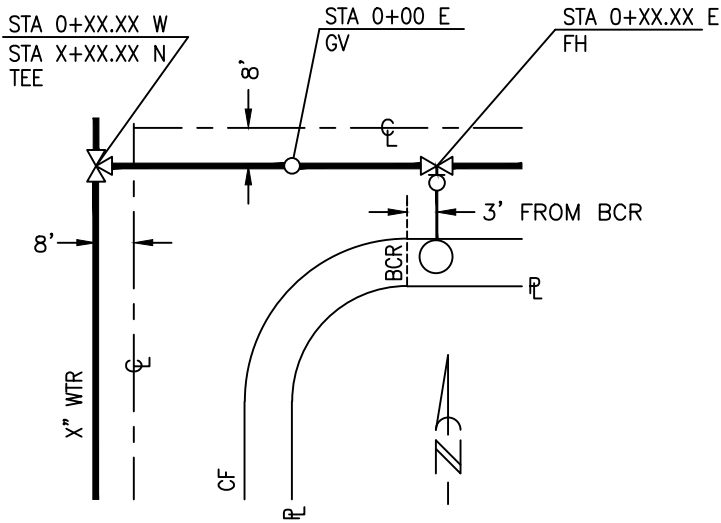
ENGINEERING COMPANY TITLE
BLOCK INCLUDE ENGINEERS
SIGNATURE AND STAMP

APPROVED BY: _____
FIRE HYDRANT LOCATION ONLY

CITY OF RIVERSIDE
PUBLIC UTILITIES DEPARTMENT
OVERHEAD & UNDERGROUND

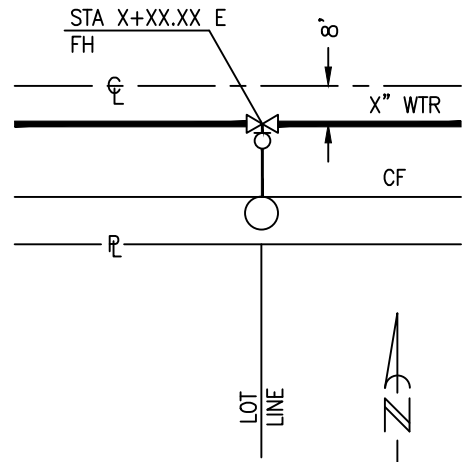
UNDERGROUND SERVICE ALERT
CALL TOLL FREE
1-800-227-2600
NO WORKING BEFORE YOU GO

POWER BOOK
DRAWING NO
D5-XXXXXX
SHEET 1 OF 1
CADD FILE

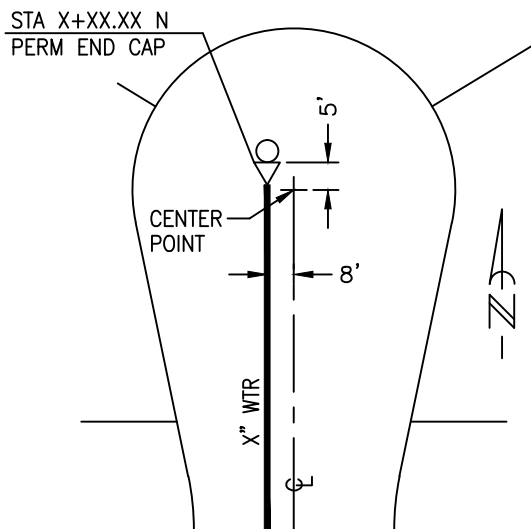


INTERSECTIONS

FIRE HYDRANT LOCATIONS

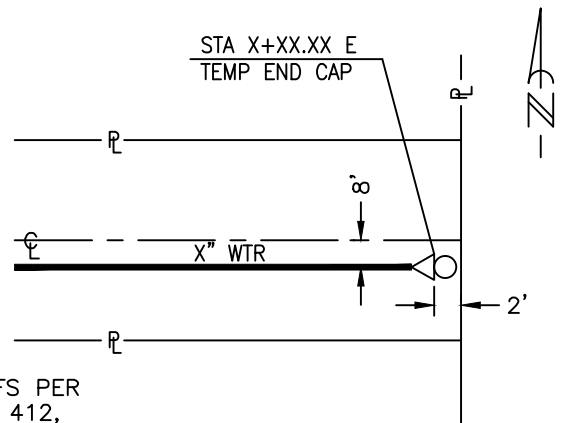


LOT LINES



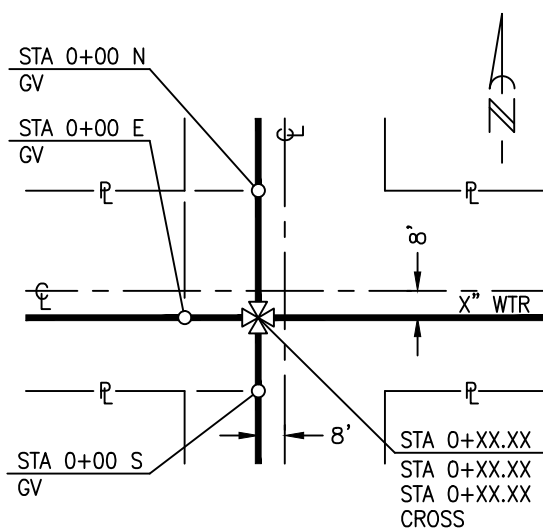
CUL-DE-SAC

END OF MAIN



DEAD-END

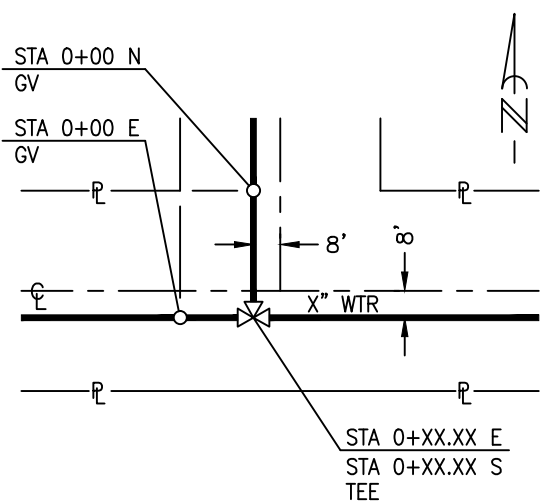
NOTE:
TYPICAL BLOW-OFFS PER
CWD-411A, 411B, 412,
OR 413



FOUR-WAY

VALVE LOCATION

NOTE:
VALVES SHALL BE
LOCATED ON THE
EXTENSION OF
PROPERTY LINES



THREE-WAY



WATER DISTRIBUTION & TRANSMISSION
PIPELINE CONSTRUCTION METHODS

TYPICAL PLAN DETAIL