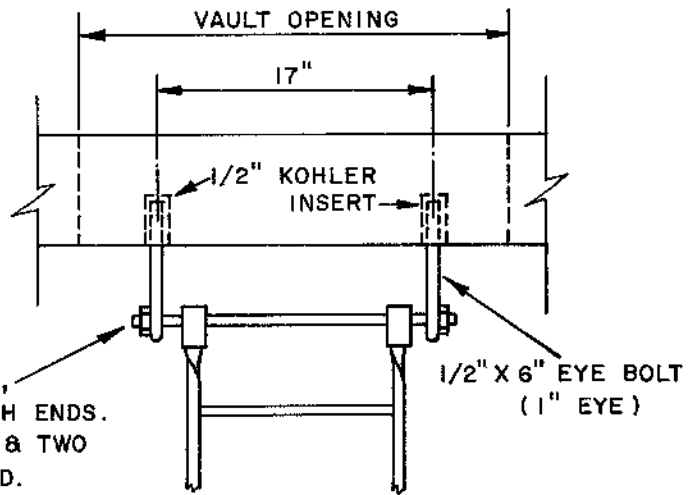
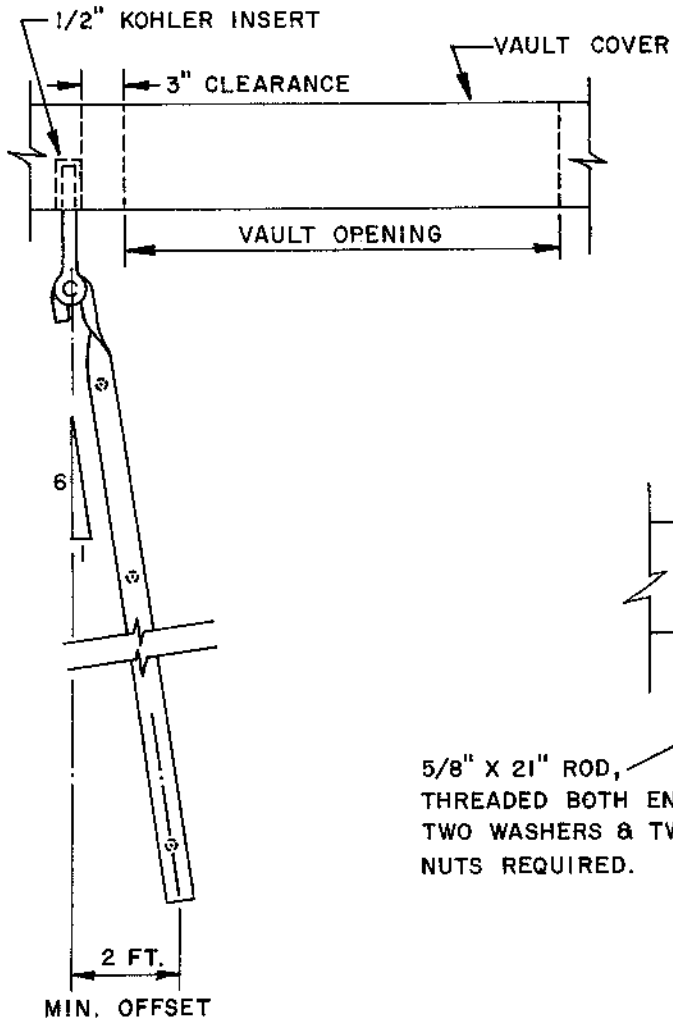


LADDER INSTALLATION
FOR VAULTS

RIVERSIDE PUBLIC UTILITIES DEPT.—UNDERGROUND STRUCTURES



5/8" X 21" ROD,
THREADED BOTH ENDS.
TWO WASHERS & TWO
NUTS REQUIRED.

1/2" X 6" EYE BOLT
(1" EYE)

LADDER MOUNTING
FRONT VIEW

NOTES:

1. SEE UGS-240 FOR LADDER DETAIL.
2. SEE UGS-053.2 FOR INSERT AND VAULT COVER DETAILS.
3. LADDER TO FACE ONGOING TRAFFIC.
4. OFFSET BASE OF LADDER 2 FEET (MIN.) FROM VERTICAL.
5. CONTRACTOR SHALL INSTALL LADDER AND LEAVE IN PERMANENT POSITION ON COMPLETION OF CONTRACT.