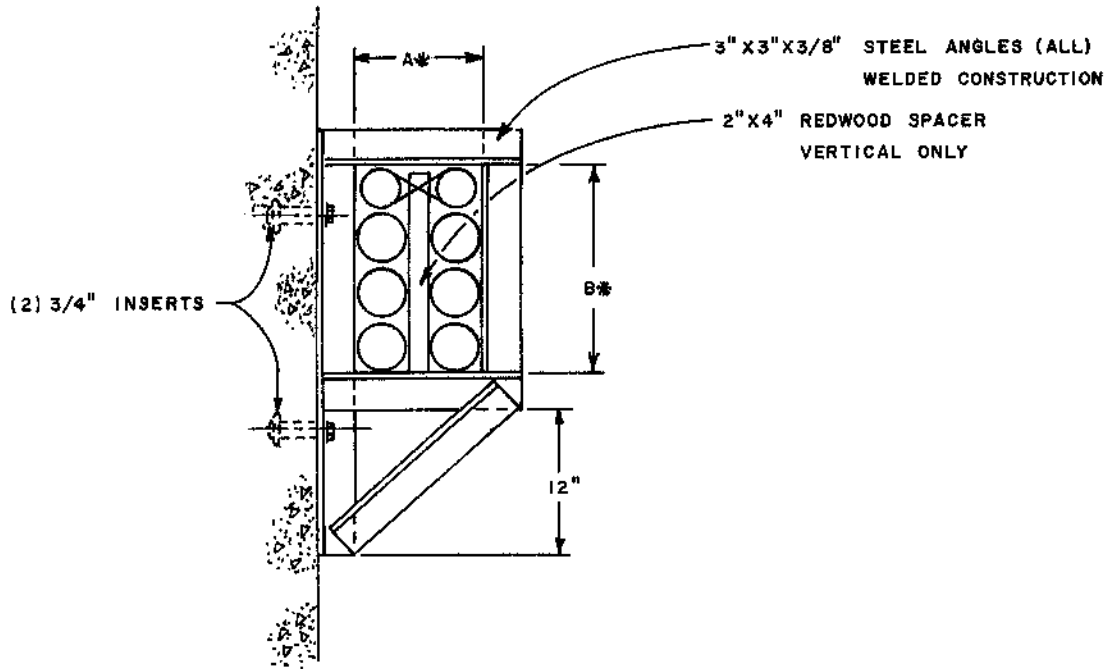
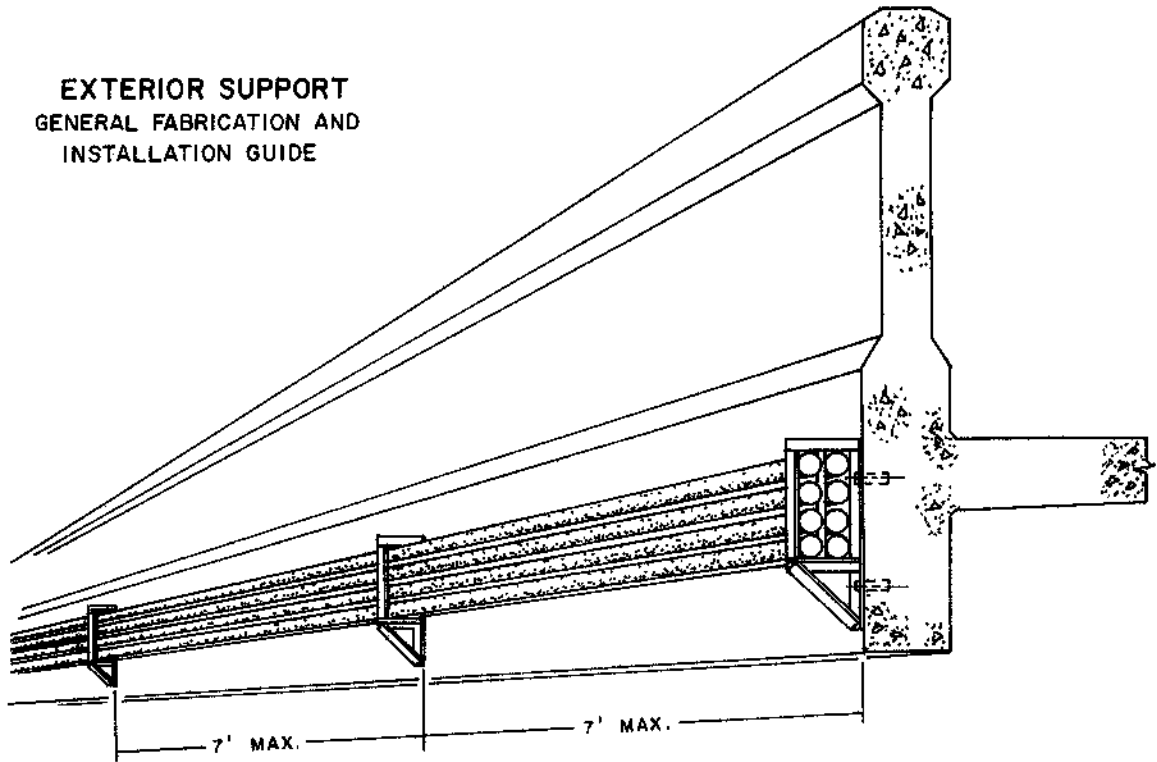


SUPPORTS FOR CONDUITS ON BRIDGES

RIVERSIDE PUBLIC UTILITIES DEPT.-UNDERGROUND STRUCTURES

EXTERIOR SUPPORT
GENERAL FABRICATION AND
INSTALLATION GUIDE

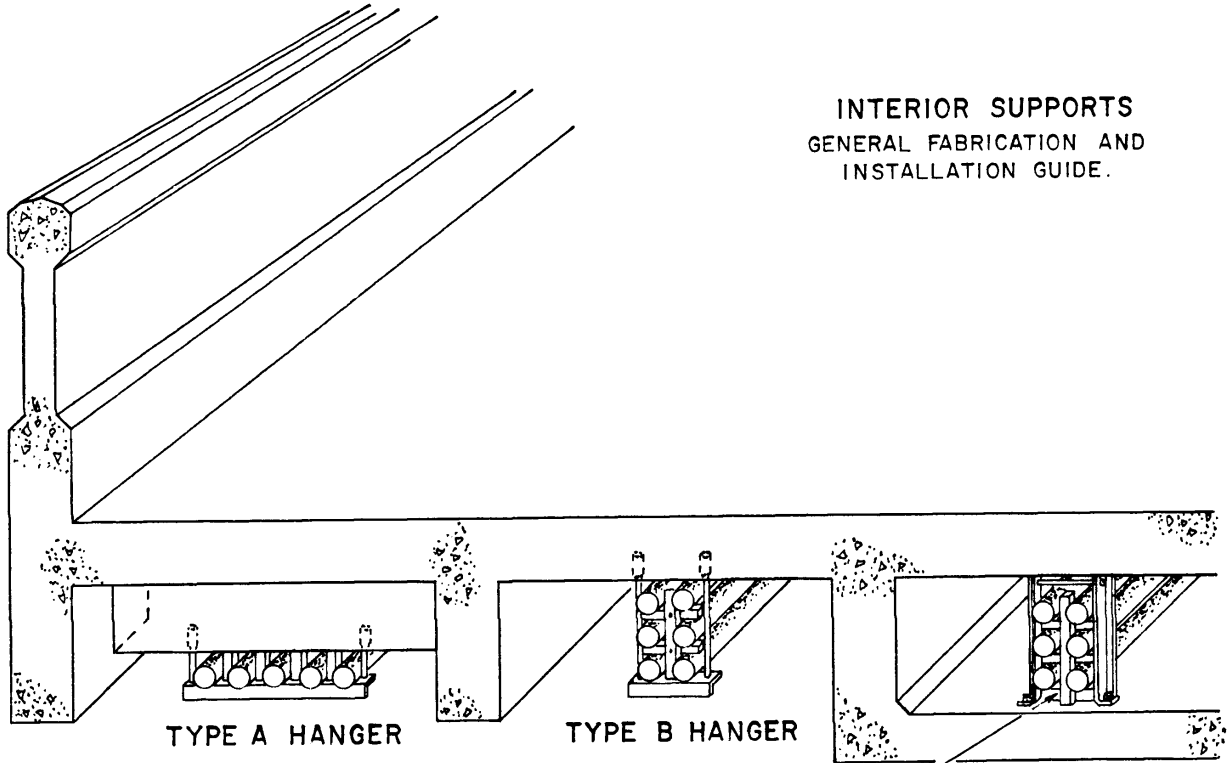


* SEE NOTE 5.

SUPPORTS FOR CONDUITS ON BRIDGES

RIVERSIDE PUBLIC UTILITIES DEPT.- UNDERGROUND STRUCTURES

INTERIOR SUPPORTS
GENERAL FABRICATION AND
INSTALLATION GUIDE.

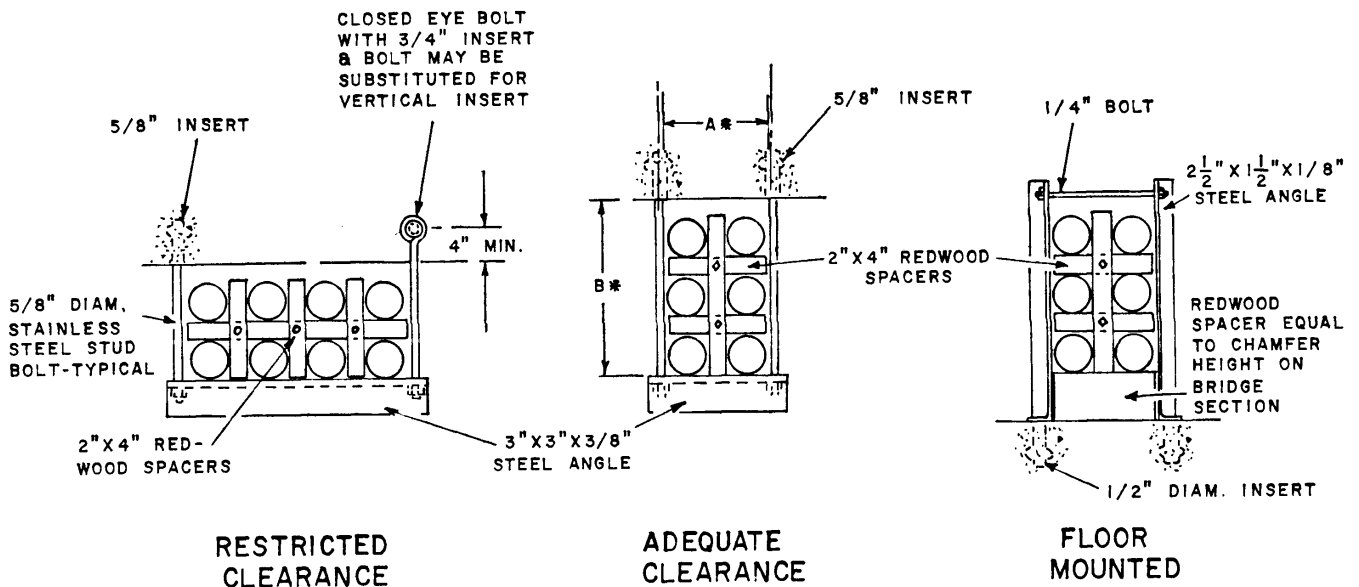


TYPE A HANGER

TYPE B HANGER

CONDUIT MAY BE SINGLE OR
DOUBLE TIER (CENTER
SUPPORT REQUIRED IF IN
EXCESS OF 8 CONDUITS TOTAL)

2" MIN. BASE SPACER
REQUIRED FOR FLOOR
MOUNTED INSTALLATIONS



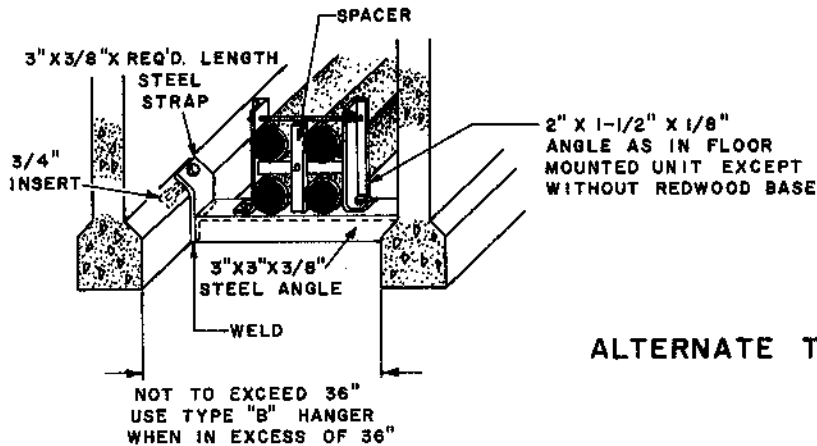
RESTRICTED
CLEARANCE

ADEQUATE
CLEARANCE

FLOOR
MOUNTED

*SEE NOTE 5.

SUPPORTS FOR CONDUITS ON BRIDGES



ALTERNATE TO HANGER SUPPORT

NOTES:

1. Conduit to be as follows:
 - A. For exposed installations - standard HDG or schedule 80 PVC.
 - B. For enclosed installations - (isolated from public and maintenance crews) type DB Transite, ABS, PVC or HDG.
2. Supports to be at 7 ft. maximum spacing.
3. Spacers, when required, to be placed at each support.
4. No vertical spacing required for HDG or schedule 80 PVC conduit except as required for clearances at expansion joint installations. Both vertical and horizontal spacing required for all other conduit.
5. Dimensions "A" and "B" to be determined from type, size and number of conduit installed. Conduit to be snug but not tight (to allow for lineal contraction and expansion).
6. Peen, center punch or spot weld at thread line of all bolts, to lock nuts in place.
7. Expansion joints (as recommended by the conduit manufacturer and approved by the Department) to be installed as follows:
 - A. Transite & HDG - at each bridge expansion joint.
 - B. Plastic - at 50 ft. (maximum) intervals or at each bridge expansion joint, whichever is the shorter dimension.

SUPPORTS FOR CONDUITS ON BRIDGES

8. Expansion joints shall be installed per manufacturer's specifications. Compensating for ambient temperature.
9. Exterior supports to be located on down stream side of bridge.
10. Conduit configuration to be shown on working drawings. Typical illustrations shown are for illustrating material required.
11. Supports to be hot dipped galvanized after fabrication. All bolts, studs, nuts, etc. to be stainless steel.

RIVERSIDE PUBLIC UTILITIES DEPT.- UNDERGROUND STRUCTURES