

MANHOLE COVER WITH CONE AND GRADE RING (PRECAST CONCRETE)

REVISION: Removed Table, Updated Detail & Notes

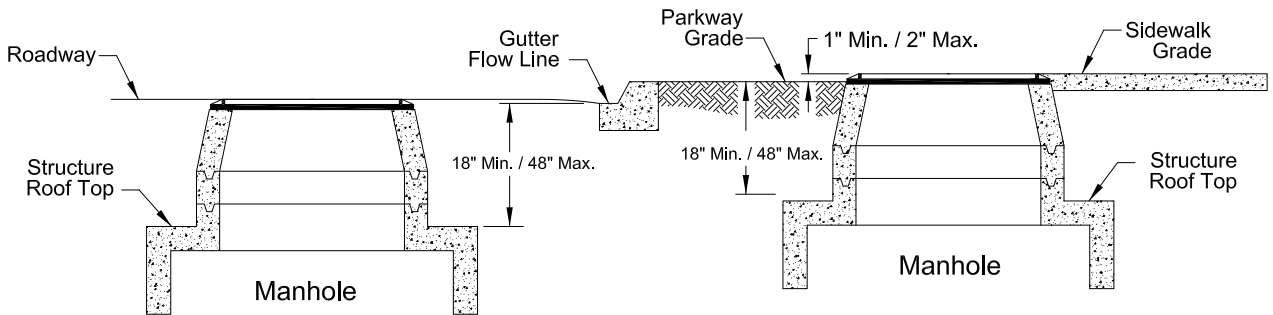
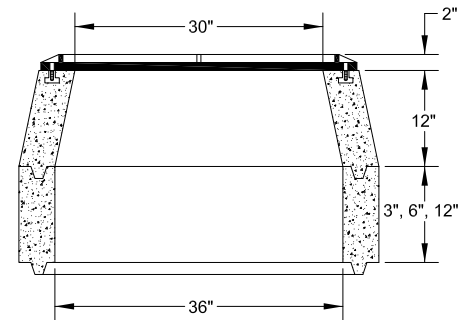
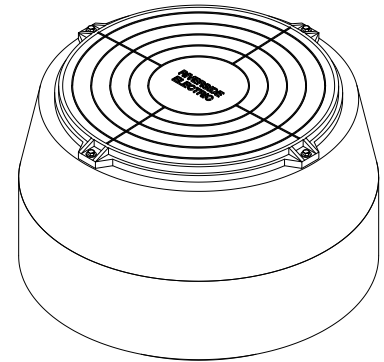
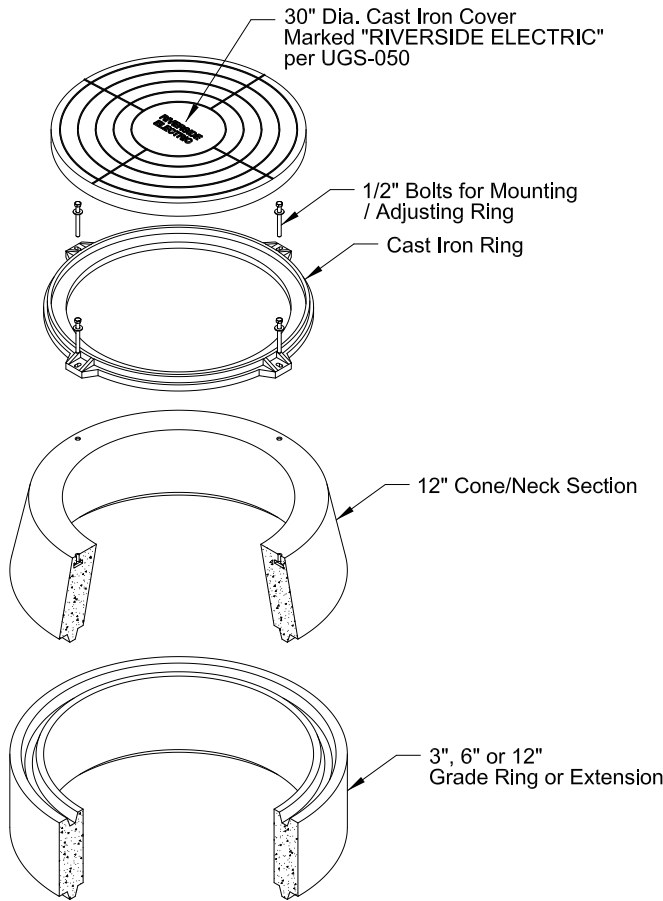
CHECKED BY (ENGINEERING): SJ

DATE: 05/19/15

CHECKED BY (FIELD): GY

PREPARED BY: SJR

APPROVED BY: *Shen Mejia*



NOTES

1. See UGS-005 for Manufacture Part No's.
2. Structures shall be installed in accordance with the manufacturer's instructions and recommendations.
3. All joints will be waterproofed using methods and sealing materials that have been specified by RPU.
4. Minimum setting cover depths for tub style manholes installed in roadway or sidewalk/parkway locations is 18 inches. This dimension is taken from the gutter flow line to the outside top of the structure roof. manholes placed in private property will have a minimum setting depth of 18 inches from grade to the outside top of the structure roof.
5. Maximum place cover depth is 48 inches, measured from grade to top outside surface of structure roof. If structure cover depths over 48 inches is required, contact project engineer, RPU Inspector or T&D Standards Group.