

# PROTECTIVE BARRIER FOR UNDERGROUND DISTRIBUTION STRUCTURES

REVISION: Updated Format, Notes & Added Snow Cap to Top of Barrier.

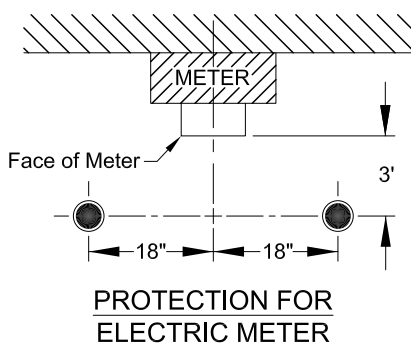
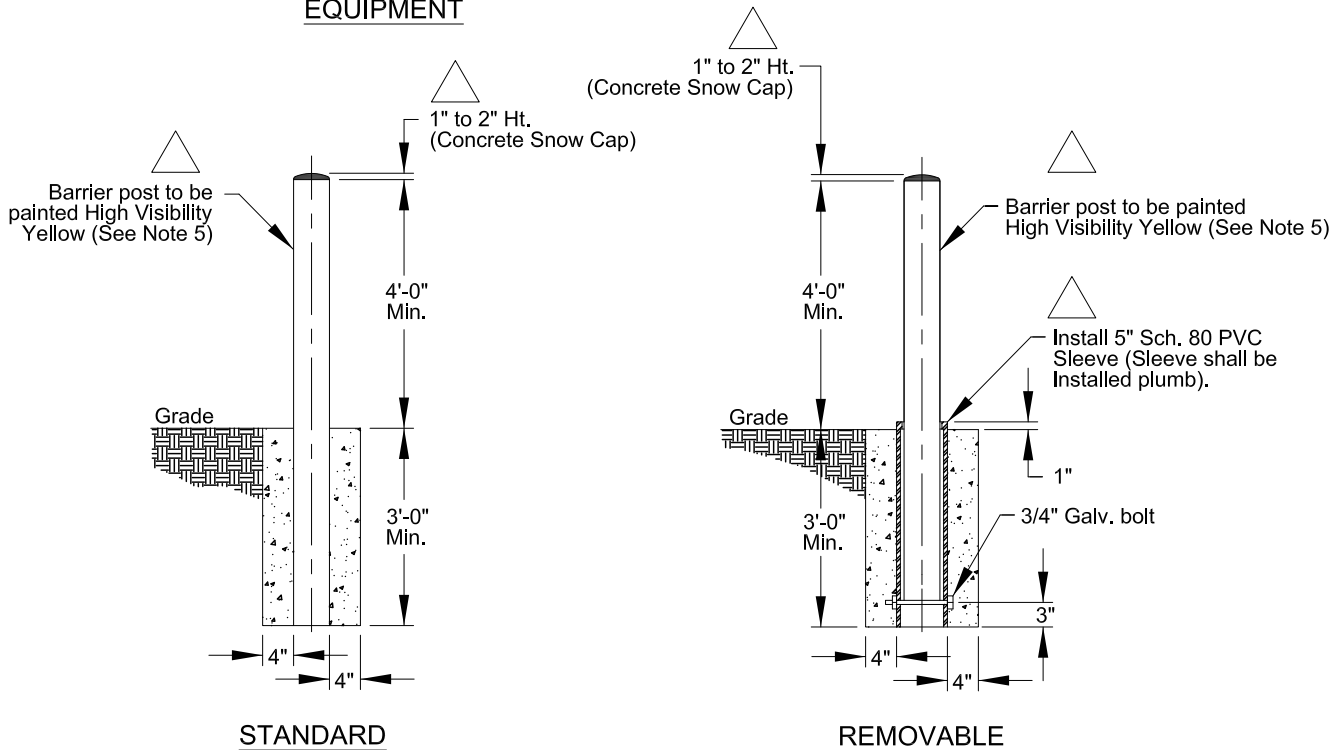
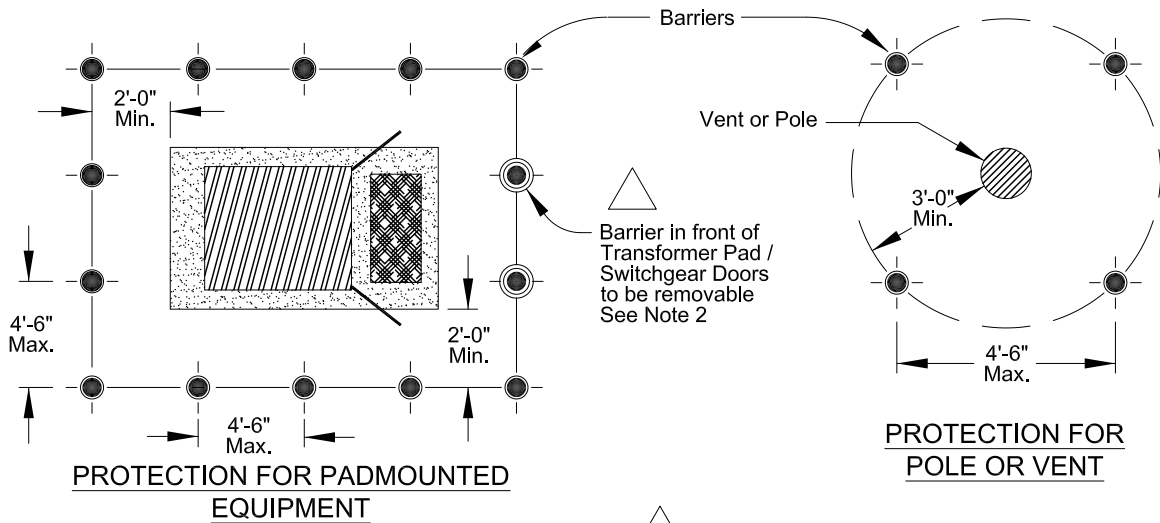
CHECKED BY (ENGINEERING): RF

DATE: 8/14/13

CHECKED BY (FIELD): GY, RS

PREPARED / REVISED BY: SJR

APPROVED BY: *Bobby D. Harris*



### NOTES

- 1.) Barriers required for all above ground facilities installed in areas subject to vehicular traffic (or required by RPU Inspector).
- 2.) Barrier in proximity of door swing shall be removable to facilitate "hotstick" operation of pad mounted transformer / switchgear & convenient equipment removal.
- 3.) Adequate clearance must be provided for doors, cooling coils, etc.
- 4.) Typical installation requirements are shown. Field changes may be necessary for adequate protection of the equipment. All installations require approval by the R.P.U. Inspector.
- 5.) Barrier post (Steel Pipe) shall be painted High Visibility Yellow after R.P.U. Inspector has approved installation.
- 6.) Steel Pipe shall be filled with concrete & have snow cap formed top.

### APPROVED MATERIALS

- 4" Dia. x 7'-0" Galv. Steel Pipe (1/4" Min. Wall)
- 12" x 12" x 3'-0" Reinforced (aggregate) Concrete Foundation.
- Protective Wall Per UGS-291
- Special Barriers by prior Dept. Approval.