

# GROUNDING STANDPIPE VENT (METALLIC)

REVISION: New Metallic Standpipe Vent Grounding  
 Standard

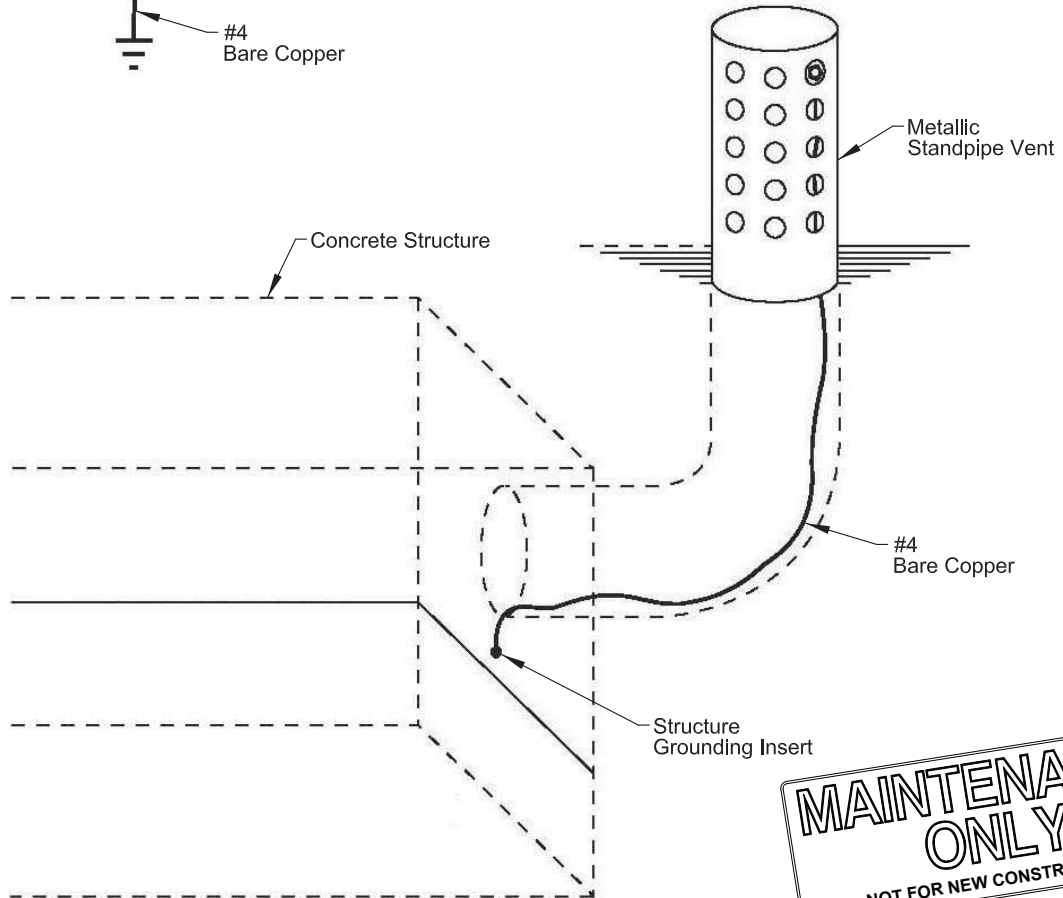
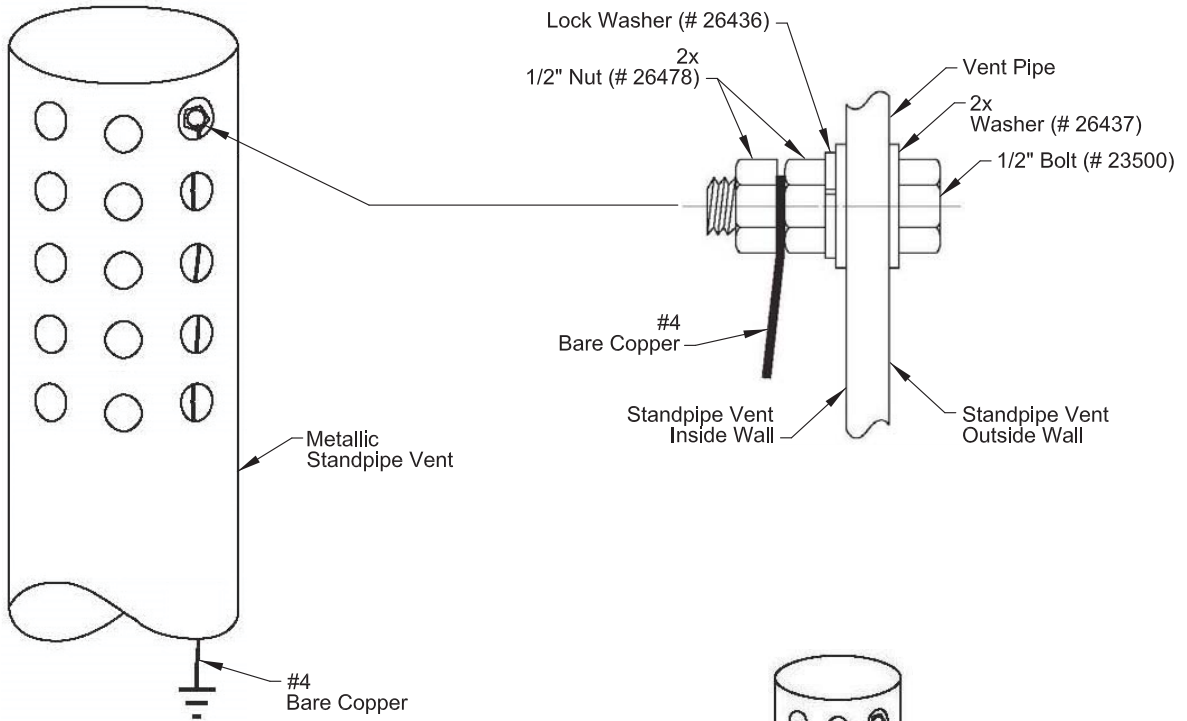
CHECKED BY  
 (ENGINEERING): JRS

DATE: 11/01/18

CHECKED BY  
 (FIELD): JH

APPROVED BY: *Stephen E. Saford*

PREPARED  
 BY: SJR



**MAINTENANCE ONLY**  
 NOT FOR NEW CONSTRUCTION

Notes:

1. To assist in underground structure locating from the surface, install a #4 bare copper wire from inside the vent pipe to the structure ground system. This installation will allow a single person crew to tie into the system ground and locate the facilities unaided. The installation should be made during new construction.