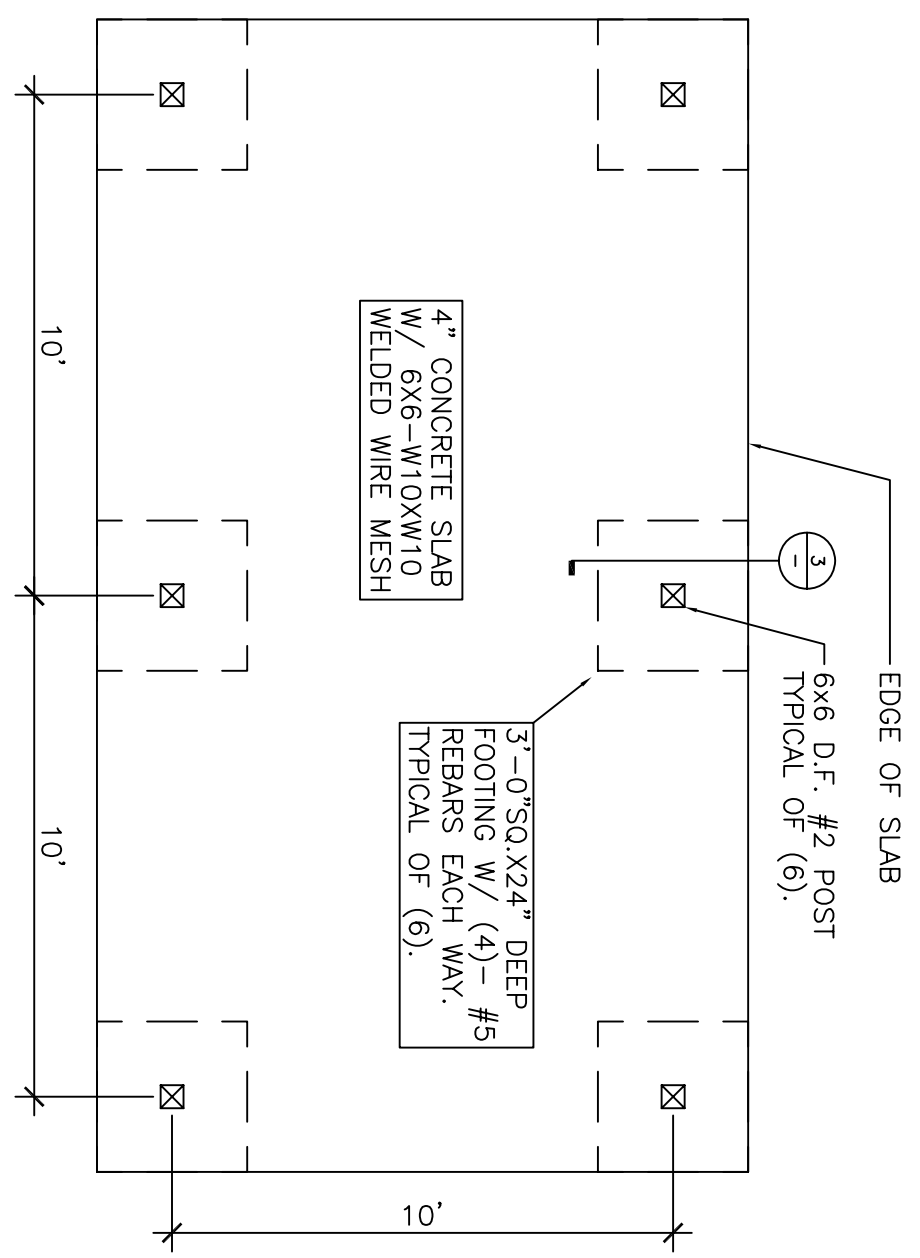
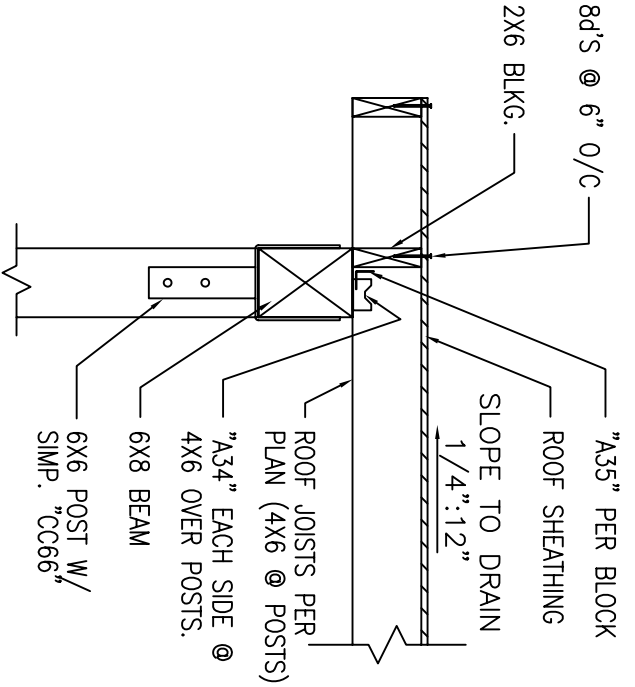


ROOF FRAMING PLAN

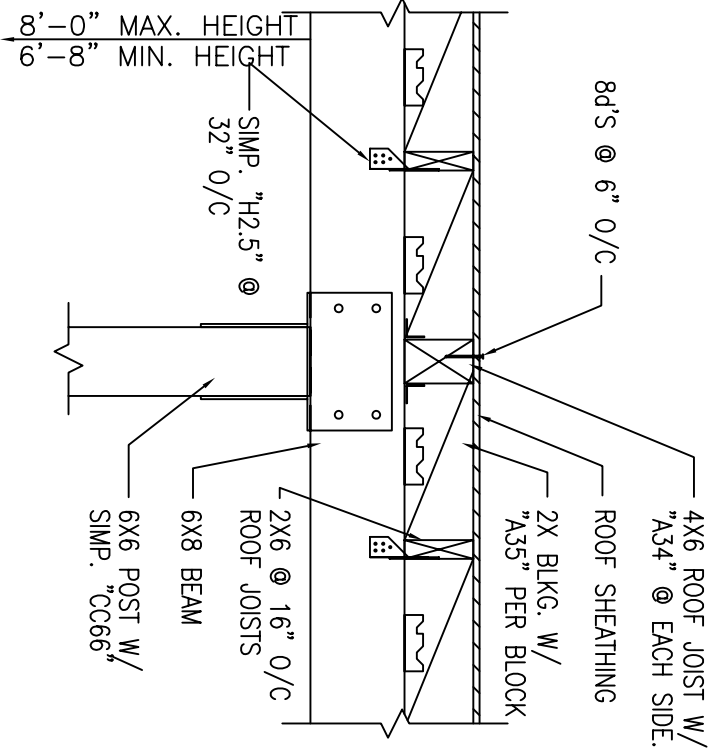
ROOF SHEATHING SHALL BE 15/32" C-D PLYWOOD W/ 8d COMMON NAILS @ 6" O/C ON EDGES & 12" O/C IN THE FIELD



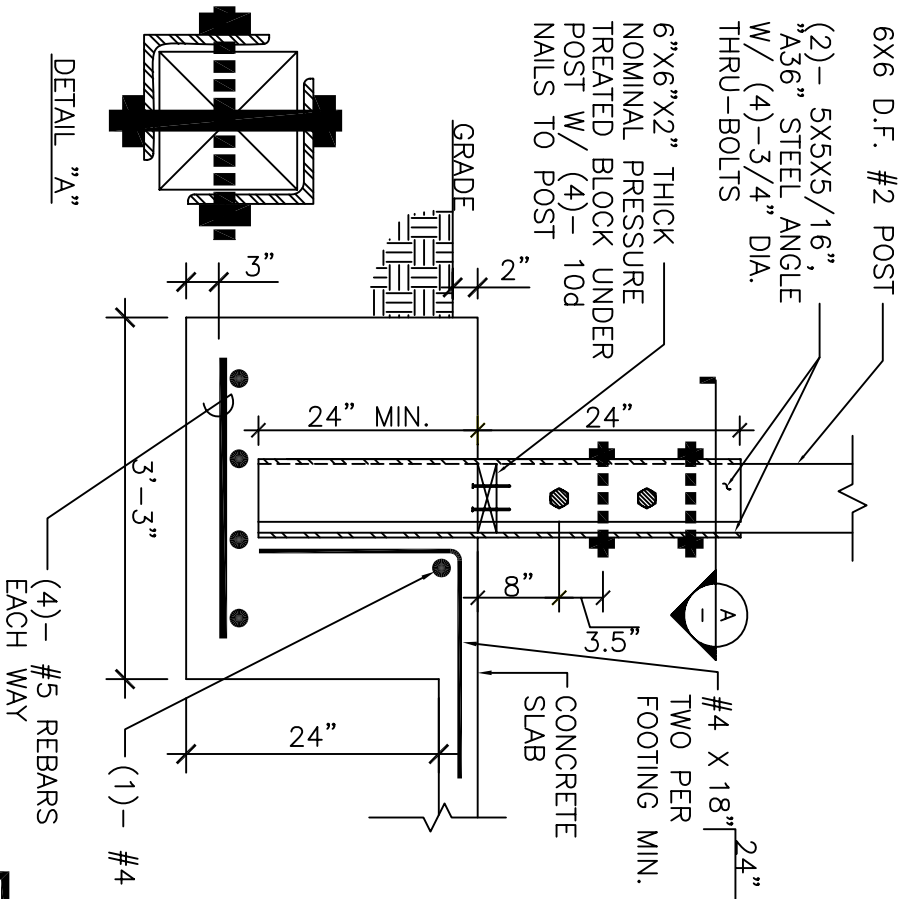
FOUNDATION PLAN



SHEAR TRANSFER DETAIL
(ROOF JOISTS)



SHEAR TRANSFER DETAIL
(BEAM END)



CONNECTION AT FOUNDATION

SCALE	NONE	
BK	06/2003	
DRAWN	DATE	
REV.	DATE	APPR.
1		
2		
3		
4		
5		

CARPORT PLANS
RSD-4.0
SHEET

CITY OF RIVERSIDE
BUILDING & SAFETY DIVISION
STANDARD STRUCTURAL
CARPORT PLANS

