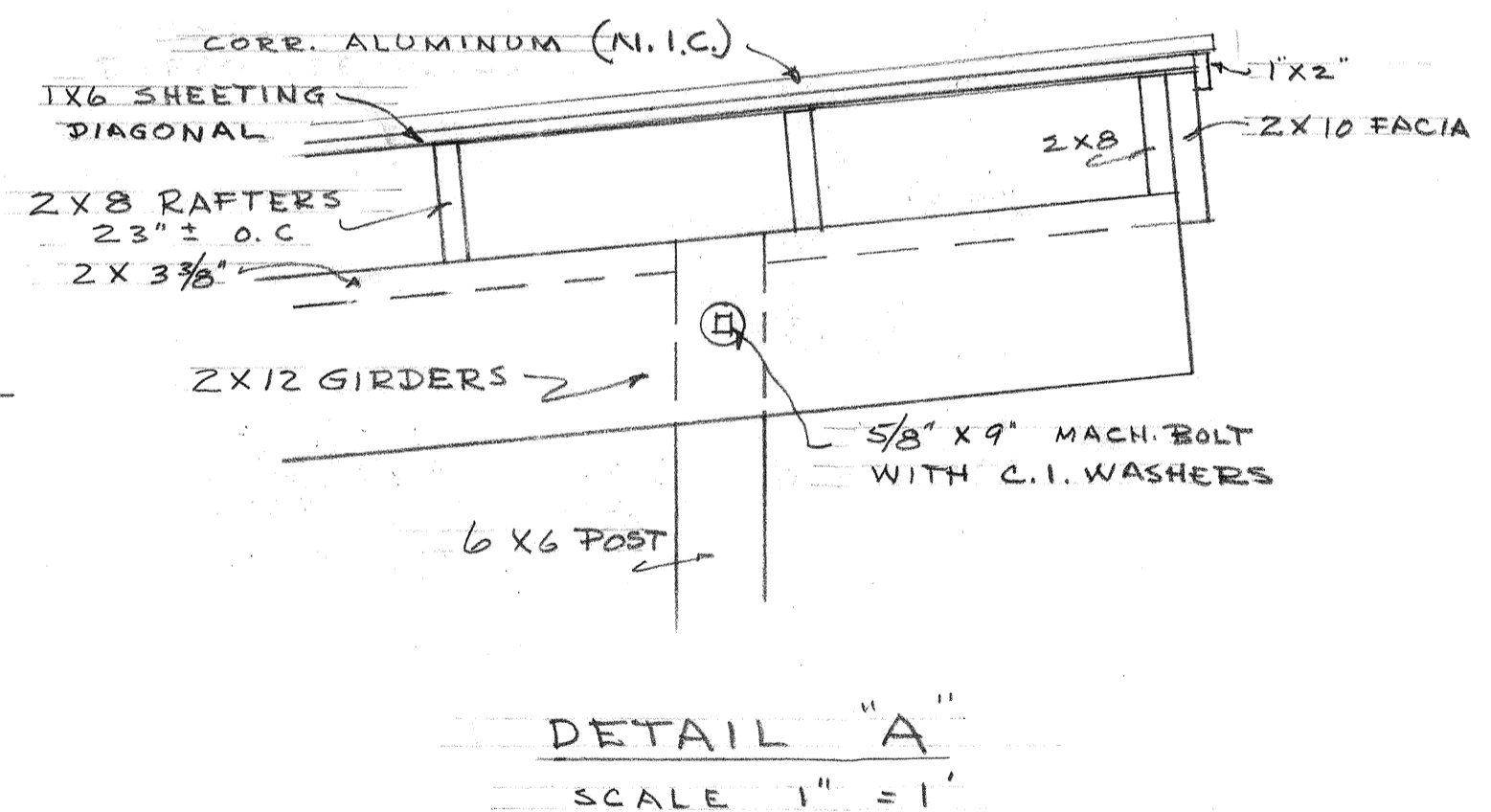
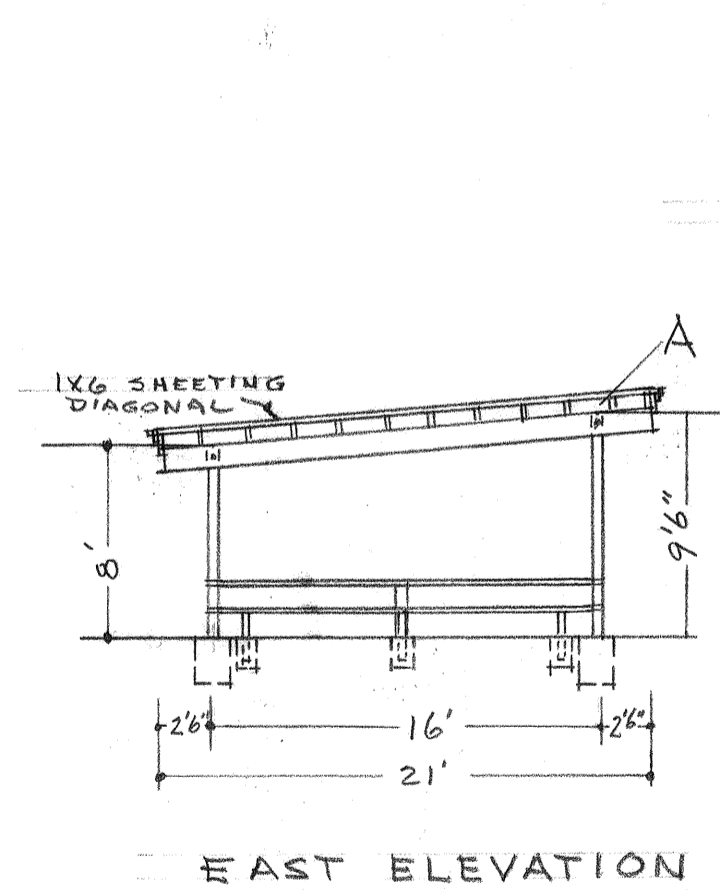
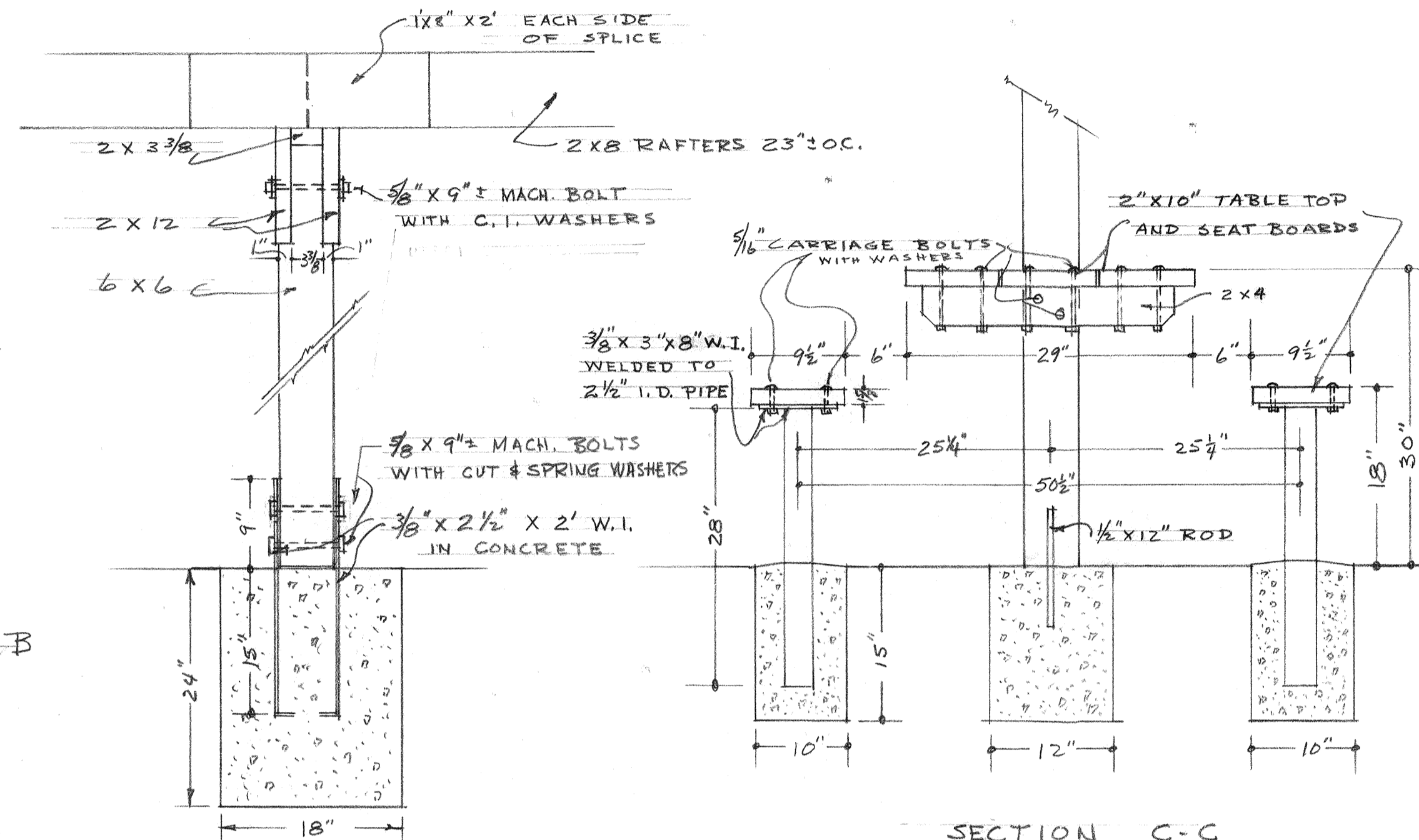


PLAN & ELEVATIONS SCALE 1/8" = 1'

NOTE - ROOF SHEETING DP #1 COM, 545.
ALL OTHER LUMBER TO BE D.F. STRUCT. SELECT 545.



PICNIC SHELTER
AND TABLES
SHAMEL PARK
RIVERSIDE, CALIF.

6-6-56