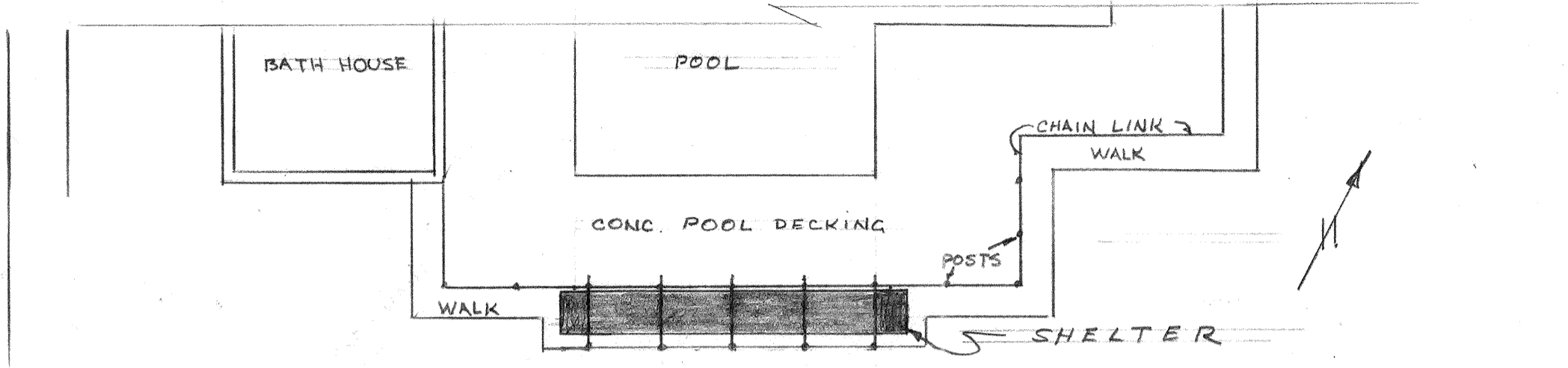
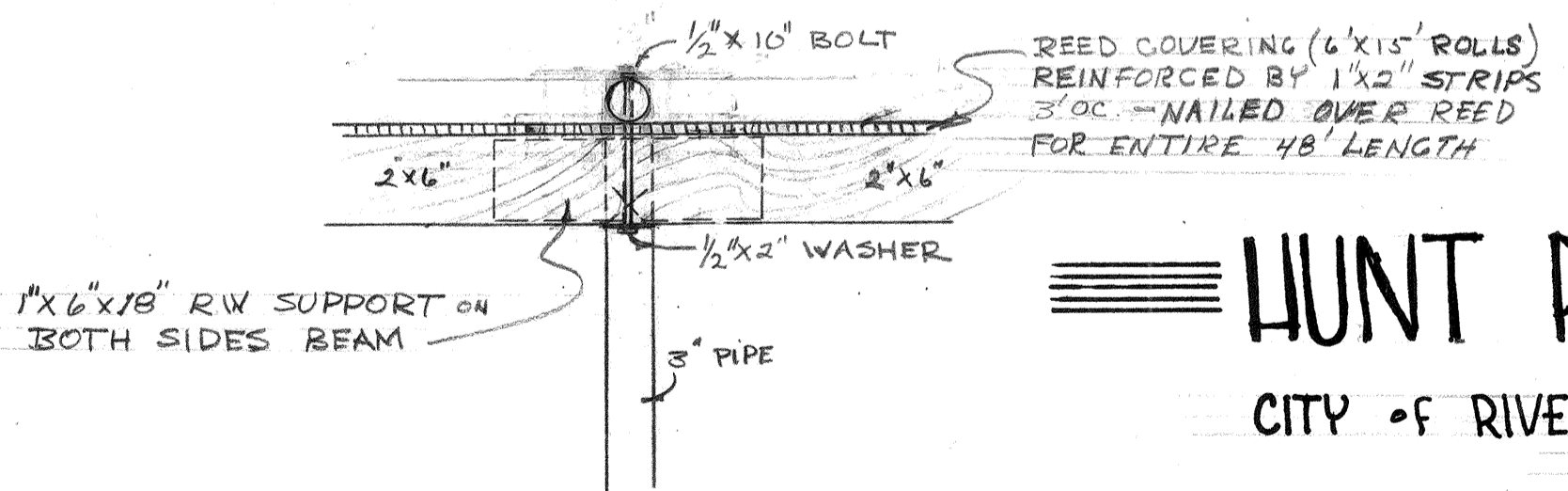
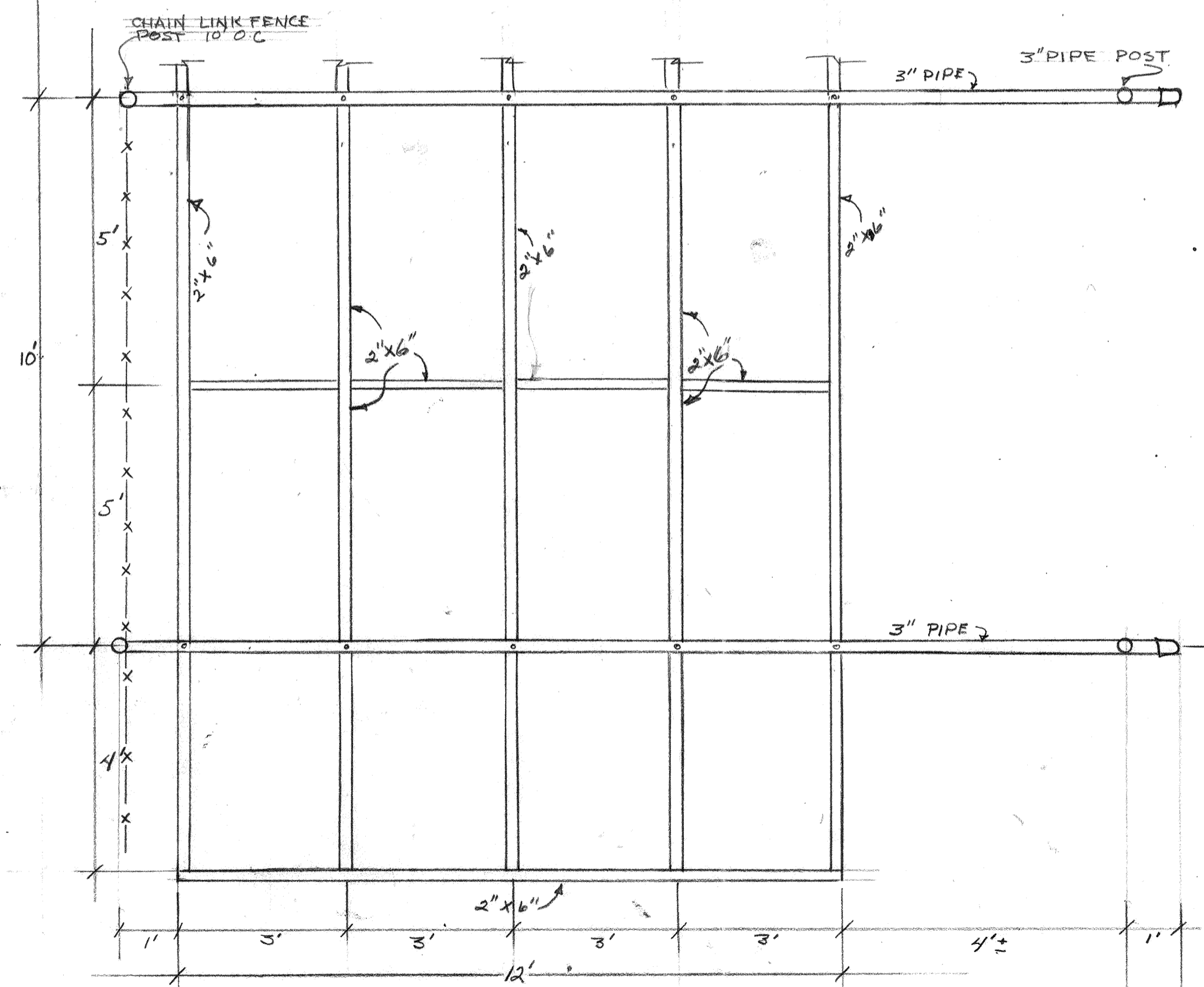


SECTION A-A  
SCALE 1/2" = 1'0"



SITE PLAN  
SCALE - 1" = 20'

PARTIAL  
PLAN VIEW  
1/2" = 1'0"



DETAIL - PIPE-BEAM CON.  
SCALE 1" = 1'0"

# HUNT PARK POOL SHELTER

CITY OF RIVERSIDE PARK & RECREATION DEPT.  
MAY 25, 1960

- NOTE:
- 3" PIPE + ELBOW FITTINGS TO BE PROVIDED BY PARK DEPARTMENT
  - LUMBER TO BE REDWOOD SELECT HEART S4S

P-121-13

HU-06