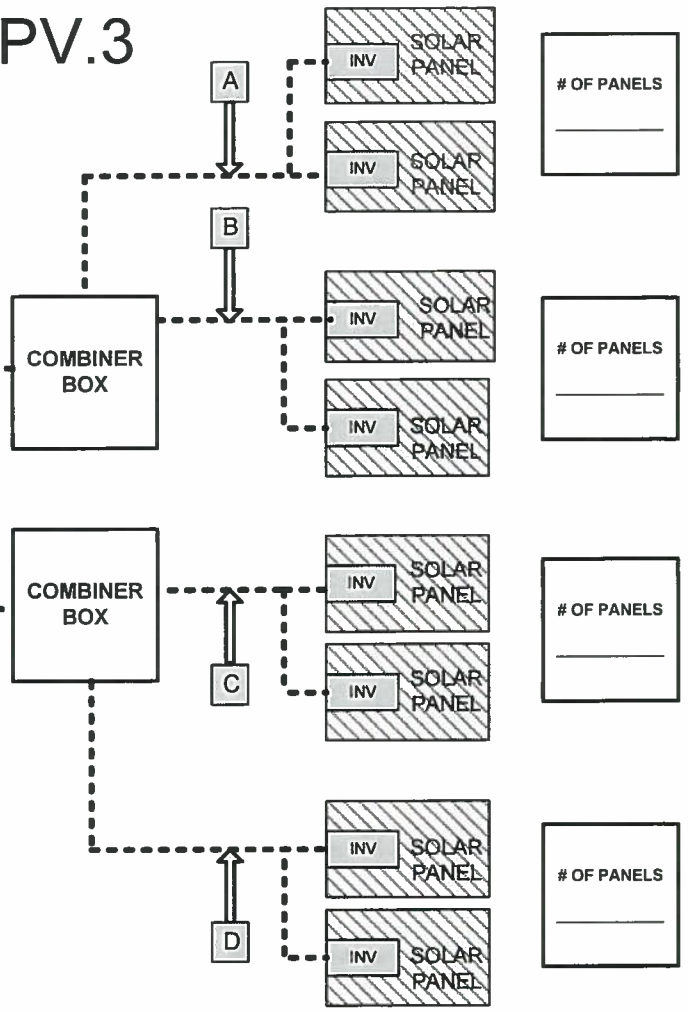
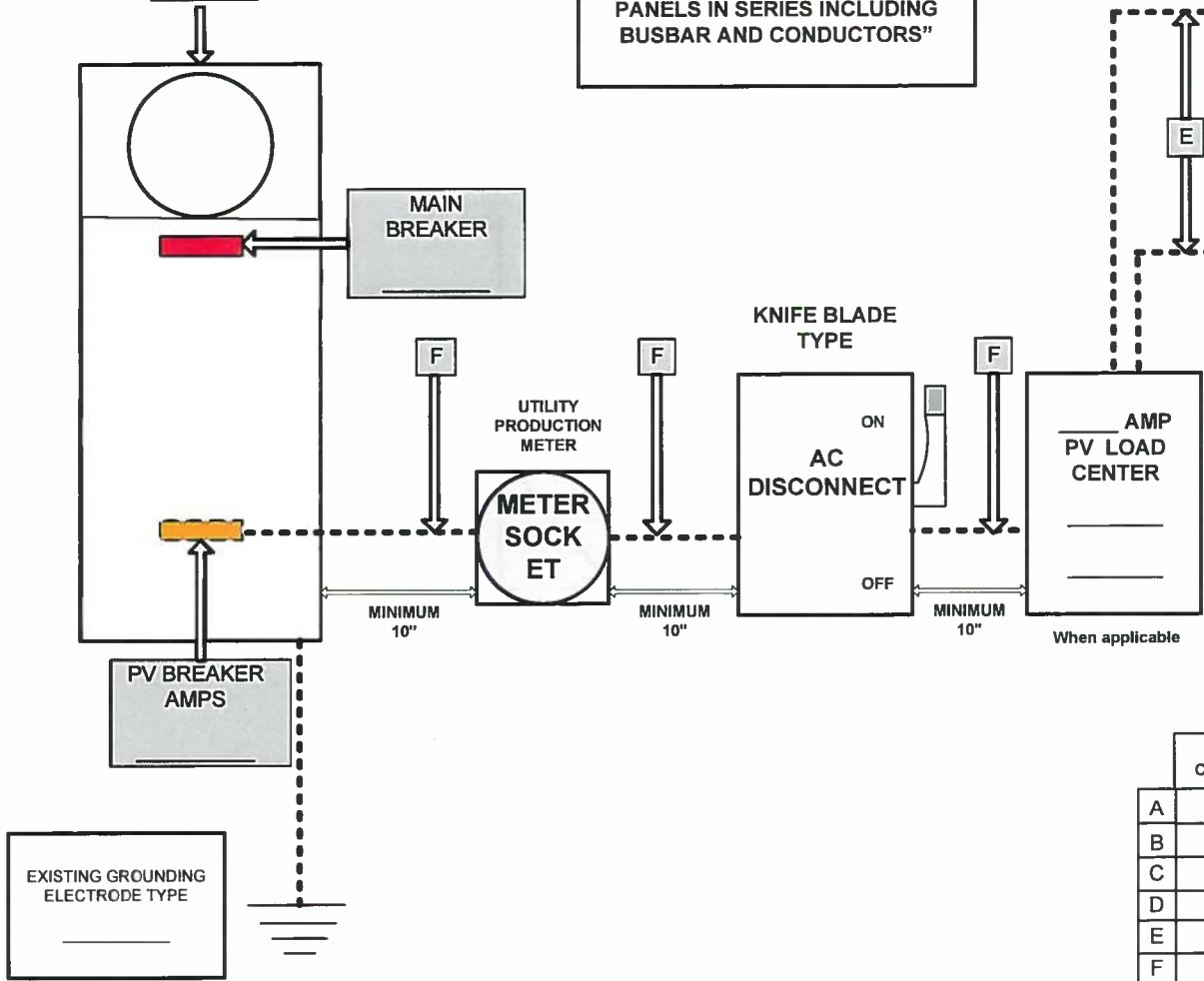


# PHOTOVOLTAIC SINGLE LINE DRAWING MICRO INVERTER FORM PV.3

MAIN SERVICE BUS  
RATING \_\_\_\_\_ AMPS

"NOTE: 120% RULE APPLIES TO  
PANELS IN SERIES INCLUDING  
BUSBAR AND CONDUCTORS"



# OF PANELS  
\_\_\_\_\_

# OF PANELS  
\_\_\_\_\_

# OF PANELS  
\_\_\_\_\_

# OF PANELS  
\_\_\_\_\_

EXISTING GROUNDING  
ELECTRODE TYPE  
\_\_\_\_\_

### CONDUCTOR SCHEDULE

	NUMBER OF CONDUCTORS	TYPE OF CONDUCTORS	CONDUCTOR SIZE	SIZE OF EGC/ GEC	CONDUIT TYPE & SIZE
A				*	
B				*	
C				*	
D				*	
E					
F					
G					

\* MINIMUM # 6 GROUND WIRE OR MUST BE IN A RACEWAY