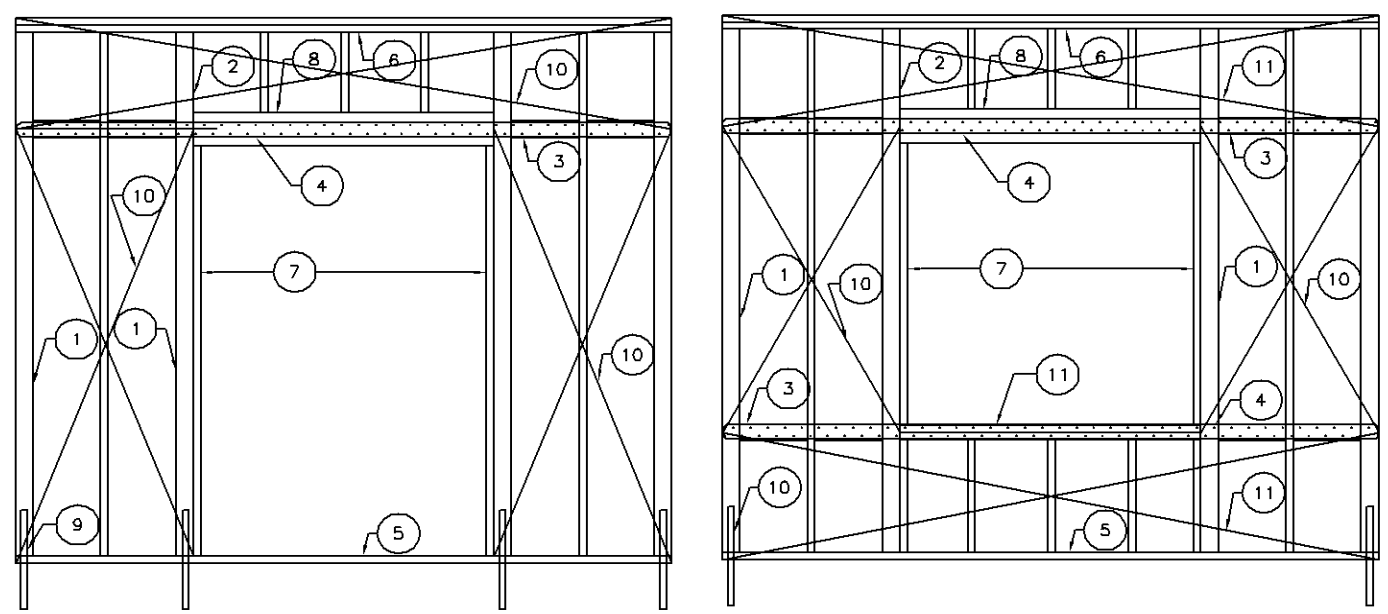




CITY OF RIVERSIDE

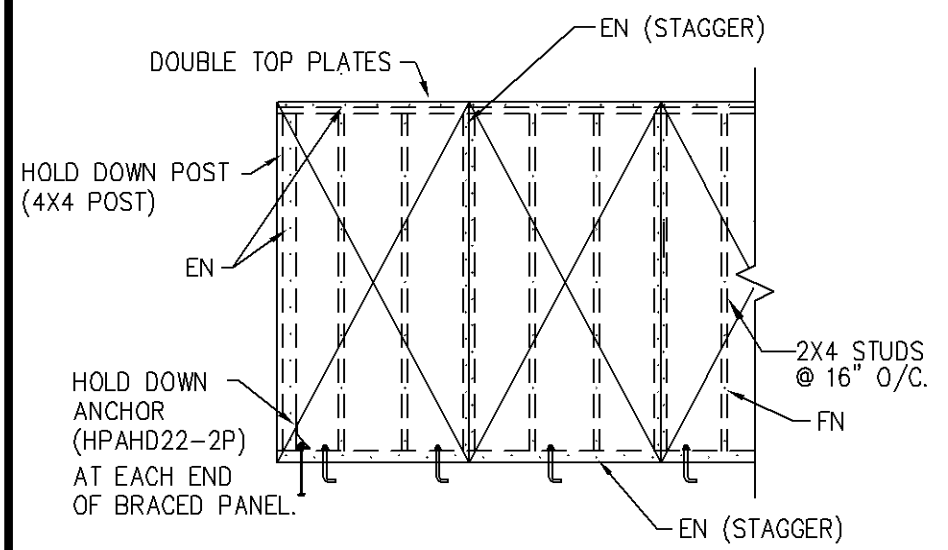
BUILDING & SAFETY DIVISION  
STANDRAD STRUCTURAL  
DETAILS

- 1 4X POST
- 2 4X FULL HEIGHT KING STUD W/ PLYWOOD EDGE NAILING
- 3 4X BLOCKING
- 4 "CMST14" FULL LENGTH STRAP PLACED OVER PLYWD. SHEATHING.
- 5 SILL PLATE
- 6 2- 2X TOP PLATES
- 7 2X TRIMMER STUD
- 8 HEADER/ PLAN
- 9 "STHD14" U.N.O.
- 10 BRACED PANELS W/ EDGE NAILING PER DETAIL "B"
- 11 2- 2X SILL PLATE



BRACED WALL PANEL AT DOOR AND WINDOW OPENINGS

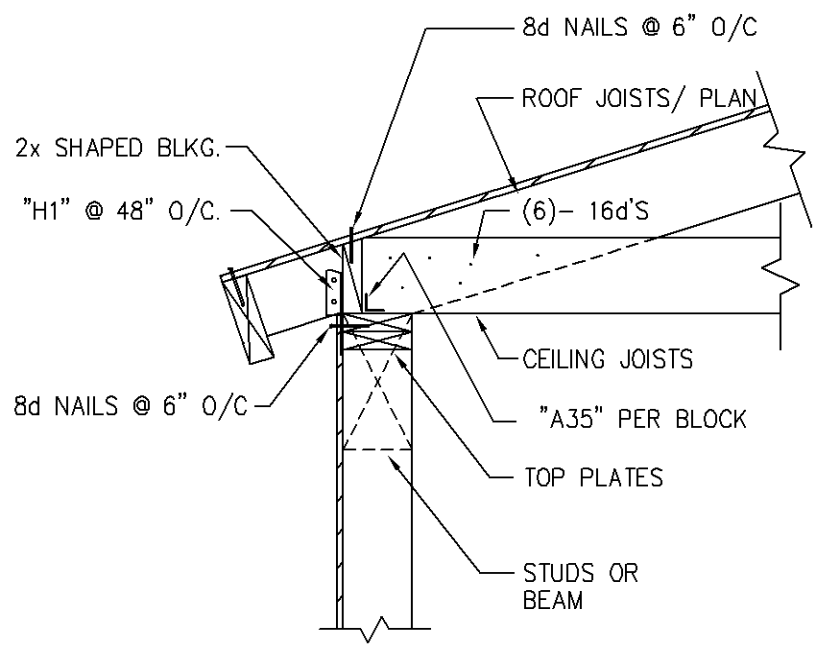
A



- NOTES:
- 1) BRACED WALL PANEL SHALL BE 15/32" STRUCTURAL II PLYWOOD.
  - 2) MINIMUM PANEL DIMENSION IS 2'-0".
  - 3) USE FULL SIZE PANELS WHERE POSSIBLE (4'X8').
  - 4) FIELD NAILING (FN): 8d NAILS @ 12" O/C.
  - 5) EDGE NAILING (EN): 8d NAILS @ 6" O/C.
  - 5) USE 3X SOLID BLKG @ HORIZ JOINTS.

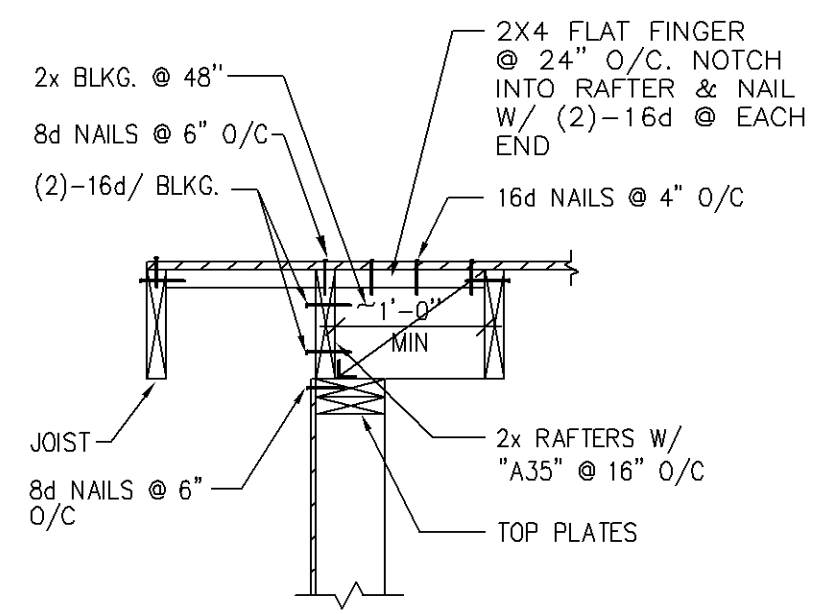
TYPICAL BRACED WALL PANEL

B



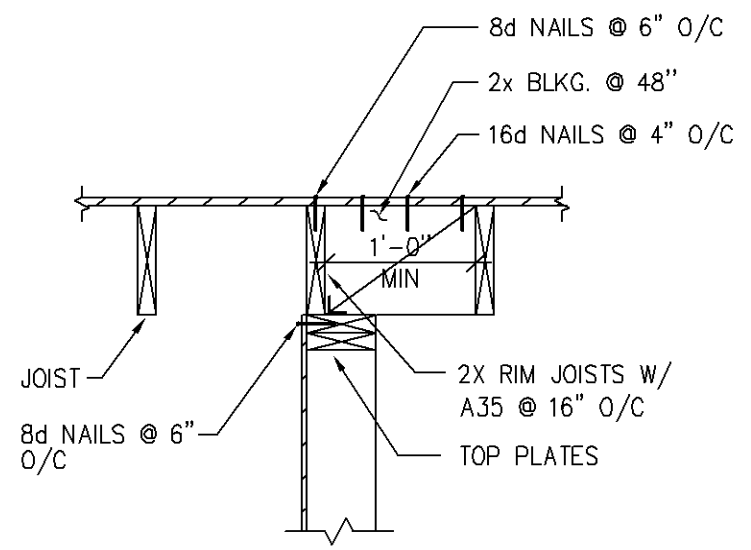
CONNECTION AT EXTERIOR BRACED WALL (ROOF RAFTERS)

C



CONNECTION AT EXTERIOR BRACES WALL (GABLE END)

D



CONNECTION AT INTERIOR BRACED WALL

E

SCALE NONE

BK 06/2002  
DRAWN DATE

REV.	DATE	APPR.
1	5/2008	BK
2		
3		
4		
5		

BRACED WALL PANELS

RSD-2.0  
SHEET