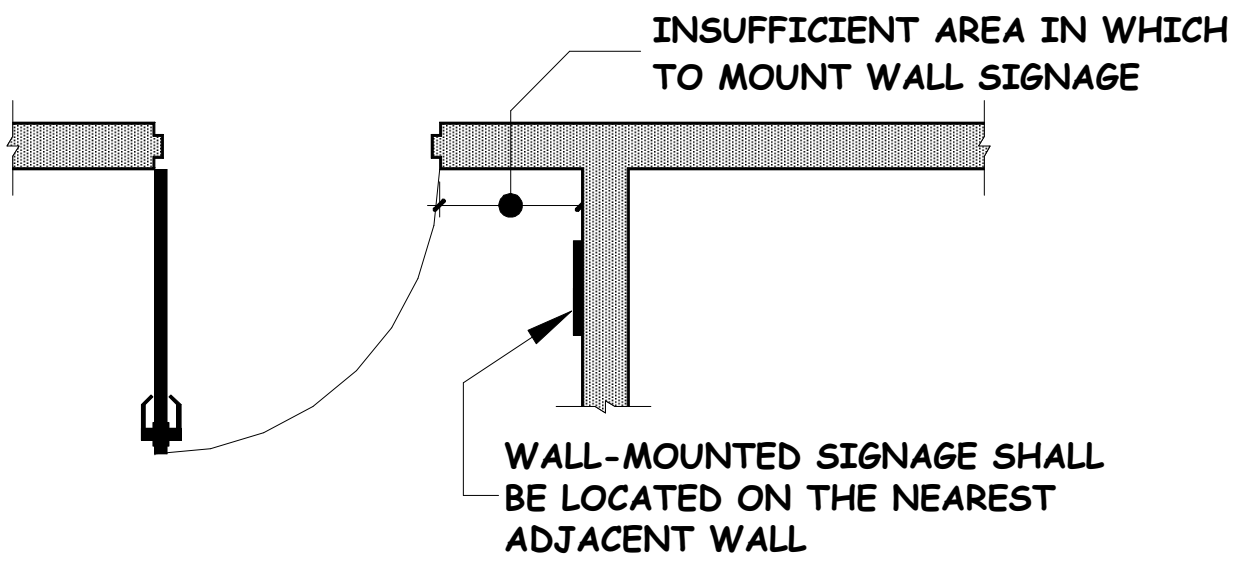
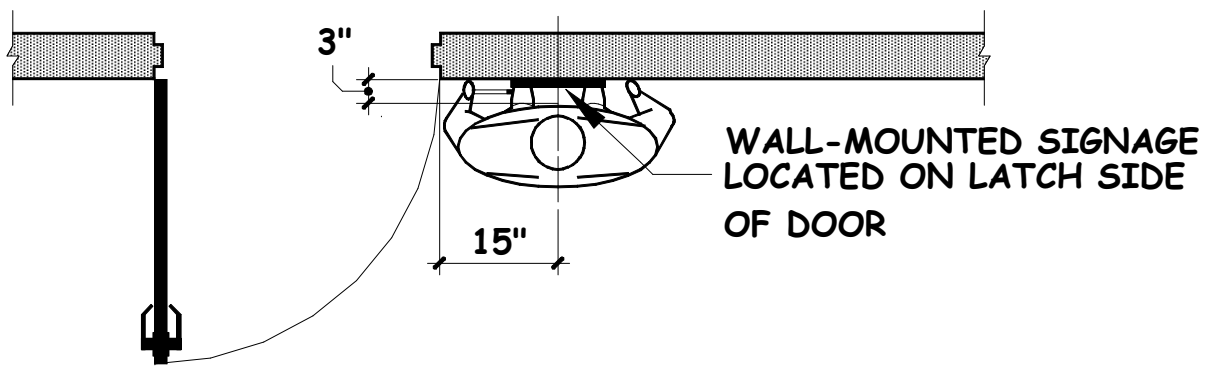


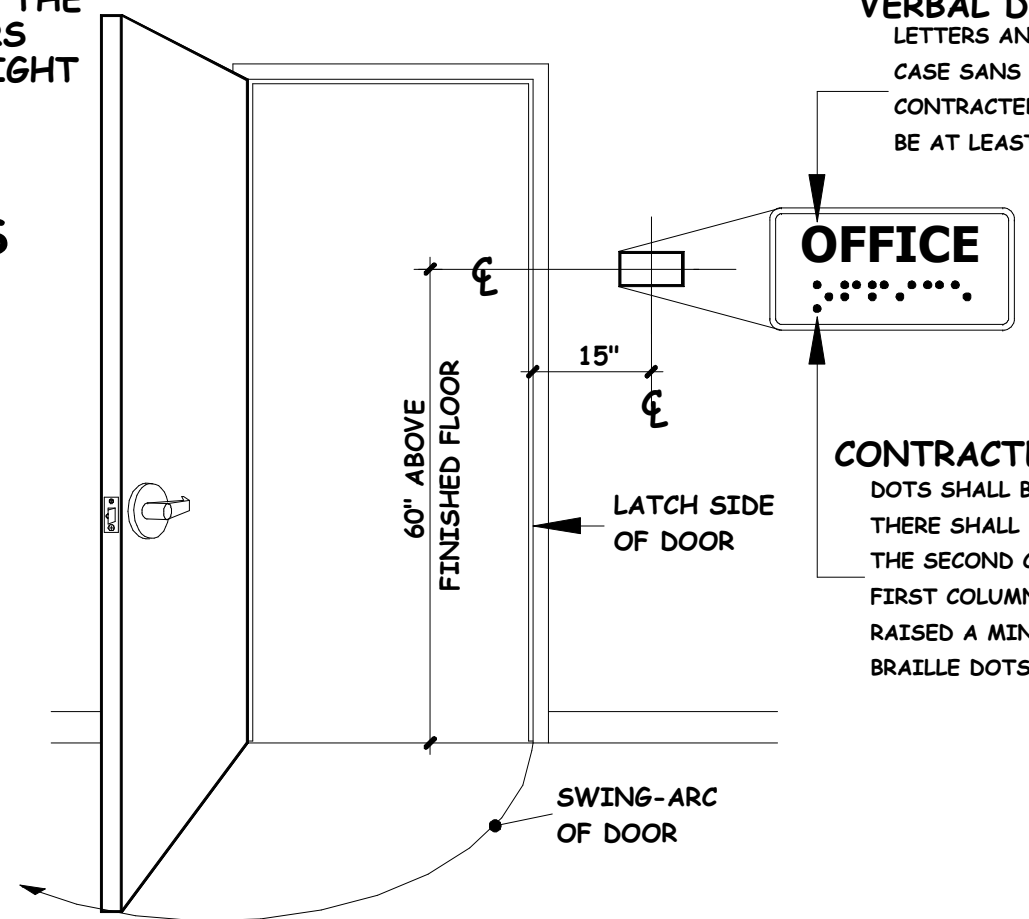
WALL SIGNAGE ADJACENT TO DOUBLE DOORS



WALL SIGNAGE on ADJACENT WALL



WALL SIGNAGE ADJACENT TO DOOR



WALL-MOUNTED ACCESSIBILITY SIGNAGE

VERBAL DESCRIPTION

LETTERS AND NUMERALS SHALL BE RAISED 1/32", UPPER CASE SANS SERIF TYPE AND SHALL BE ACCOMPANIED WITH CONTRACTED GRADE 2 BRAILLE. RAISED CHARACTERS SHALL BE AT LEAST 5/8" HIGH BUT NO HIGHER THAN 2".

CONTRACTED GRADE 2 BRAILLE

DOTS SHALL BE 1/10" ON CENTER IN EACH CELL THERE SHALL BE 2/10" SPACE BETWEEN CELLS, MEASURED FROM THE SECOND COLUMN OF DOTS IN THE FIRST CELL TO THE FIRST COLUMN OF DOTS IN THE SECOND CELL. DOTS SHALL BE RAISED A MINIMUM OF 1/40" ABOVE THE BACKGROUND. BRAILLE DOTS SHALL BE DOMED OR ROUNDED.

WALL-MOUNTED ACCESSIBILITY SIGNAGE SHALL CONSIST OF:

RAISED CHARACTERS IN ACCORDANCE WITH 2010 CBC SECTION 1117B.5.5.

CONTRACTED GRADE 2 BRAILLE IN ACCORDANCE WITH 2010 CBC SECTION 1117B.5.6.

WHERE PERMANENT IDENTIFICATION SIGNS ARE PROVIDED FOR ROOMS AND SPACES, SIGNS SHALL BE INSTALLED ON THE WALL ADJACENT TO THE LATCH SIDE OF THE DOOR.

WALL-MOUNTED ACCESSIBILITY SIGNAGE MOUNTING HEIGHT SHALL BE 60" ABOVE THE FINISHED FLOOR TO THE CENTERLINE OF THE SIGN.

WHERE THERE IS NO WALL SPACE ON THE LATCH SIDE, INCLUDING DOUBLE LEAF DOORS, SIGNS SHALL BE PLACED ON THE NEAREST ADJACENT WALL, PREFERABLY ON THE RIGHT.

MOUNTING LOCATION SHALL BE DETERMINED SO THAT A PERSON MAY APPROACH WITHIN 3" OF SIGNAGE WITHOUT ENCOUNTERING PROTRUDING OBJECTS OR STANDING WITHIN THE SWING OF A DOOR.

15", AS MEASURED BETWEEN THE LATCH-SIDE OF THE DOOR AND THE (VERTICAL) CENTERLINE OF THE SIGN, IS RECOMMENDED.

ROOM IDENTIFICATION SIGNAGE

SCALE NONE

PGH 12 / 08
DRAWN DATE

REV.	DATE	APPR.
1	01-01-11	PGH
2		
3		
4		
5		

ROOM SIGNAGE

RDA - 13.0

SHEET