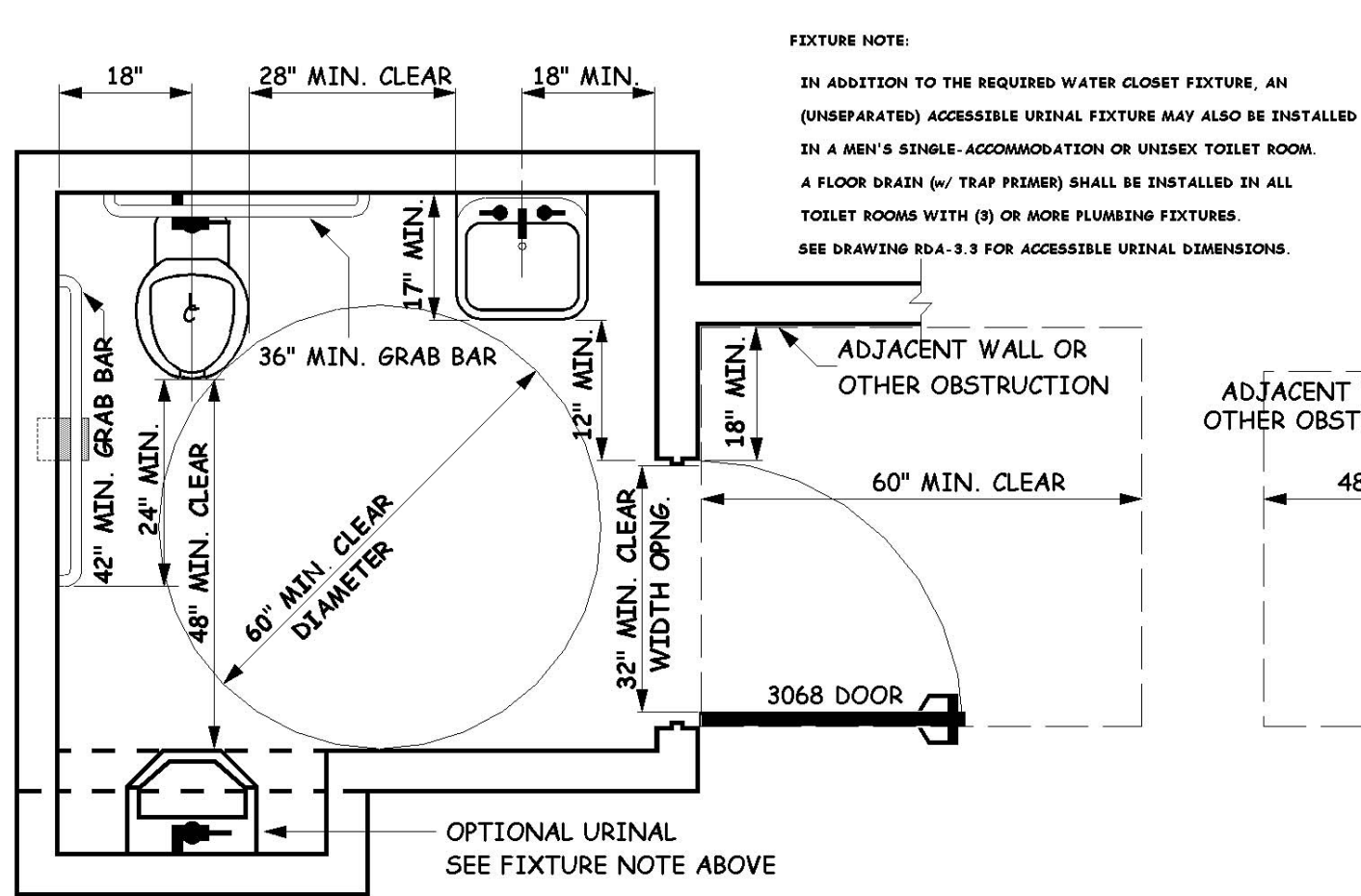


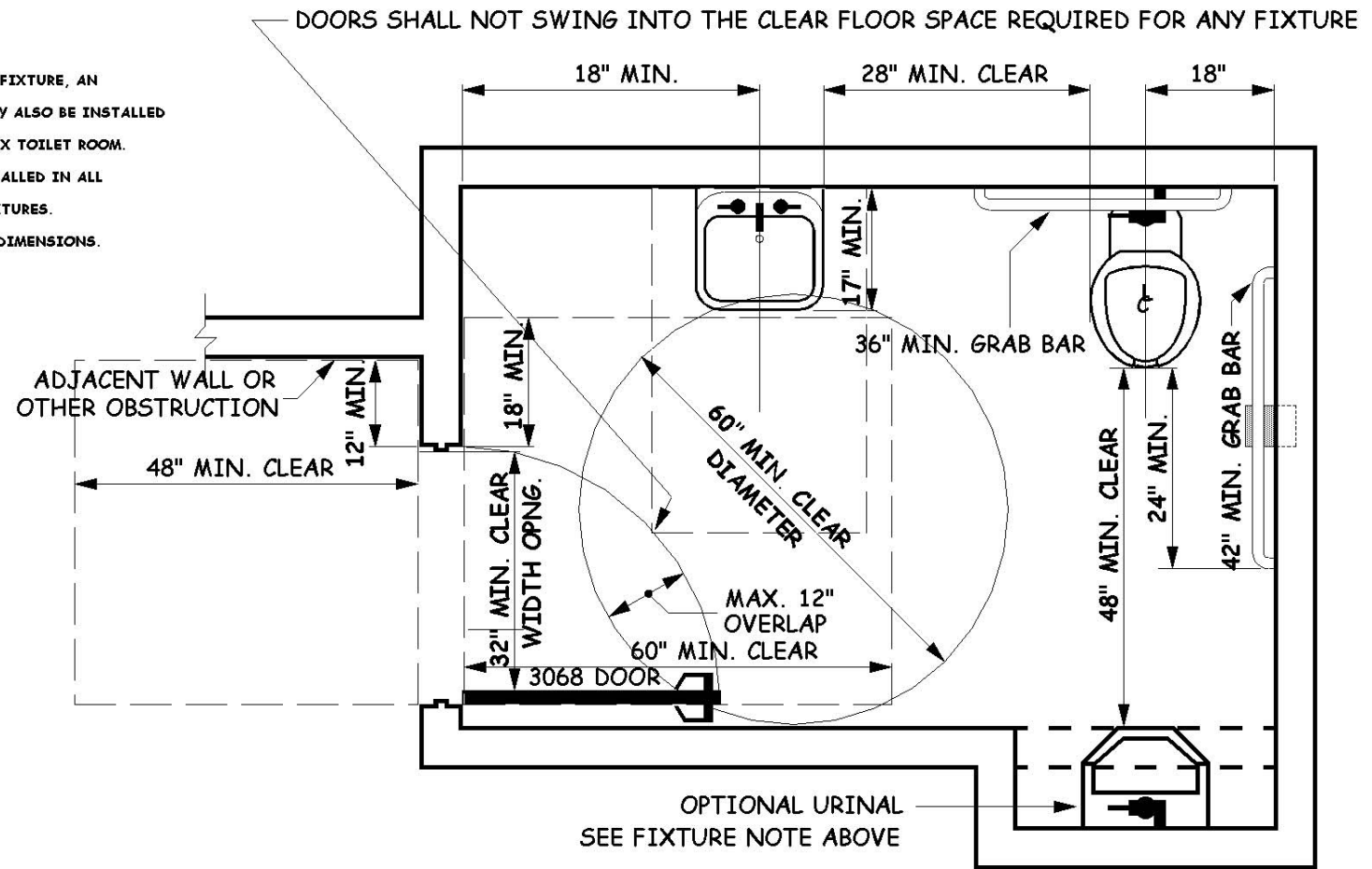


CITY OF RIVERSIDE

City of Riverside
Building & Safety Division
DISABLED ACCESS STANDARDS



WHEN DOOR SWINGS AWAY FROM TOILET ROOM



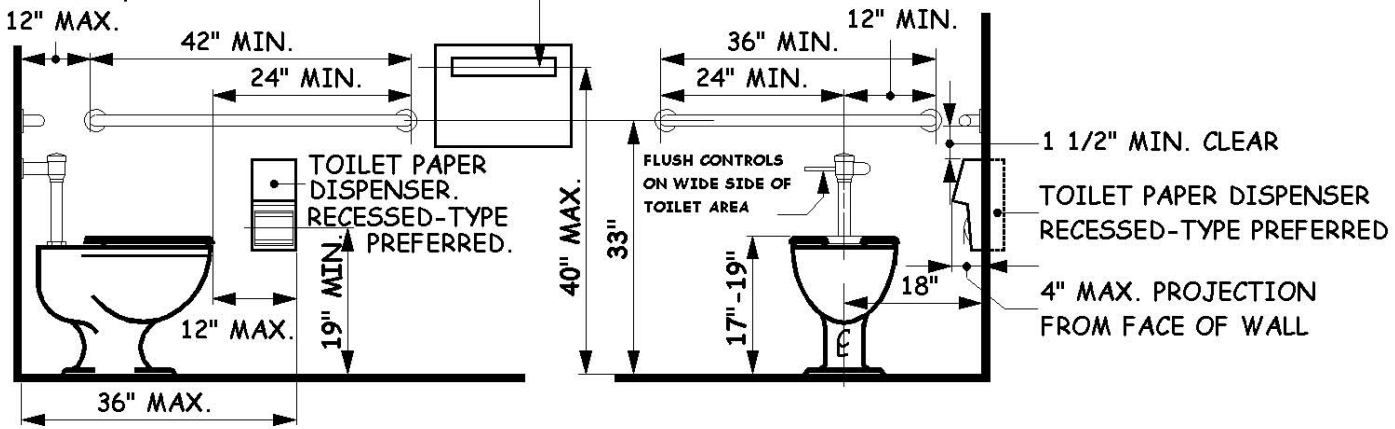
WHEN DOOR SWINGS INTO TOILET ROOM

TYPICAL SINGLE-ACCOMMODATION TOILET ROOM

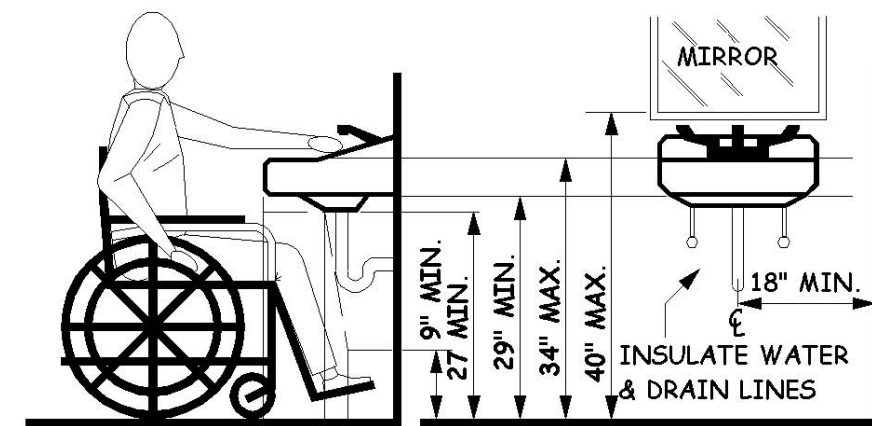
FIXTURE LAYOUTS MAY VARY

(ref. 2007 CBC sec. 1115B.3.2)

ALL TOWEL, SANITARY NAPKIN, WASTE RECEPTACLES, DISPENSERS AND CONTROLS 12" MAX.



ACCESSIBLE WATER CLOSET



ACCESSIBLE LAVATORY

SCALE NONE

PGH 07 / 01 / 08
DRAWN DATE

REV.	DATE	APPR.
1	04-09	PGH
2	07-09	PGH
3		

SINGLE STALL ACCESSIBLE RESTROOM

RDA - 3.2

SHEET