

SCALE	NONE
P&H DRAWN	06-12-08 DATE
REV.	DATE
1	
2	
3	
4	
5	

ACCESSIBLE SEATING

RDA - 9.0 SHEET

**KEYNOTES**

- 1 MIN. 32" CLEAR WIDTH OPENING  
NOTE:  
WHEN OCCUPANT LOAD IS 90 OR MORE ALL EXIT DOORS SHALL SWING IN THE DIRECTION OF EXIT TRAVEL
- 2 MIN. 24" STRIKE-EDGE CLEARANCE
- 3 MIN. 60" ON "PULL" SIDE OF DOOR
- 4 MIN. 44" MAIN AISLE WIDTH
- 5 MIN. 48" CLEAR ACCESS TO TABLE
- 6 MIN. 30" WIDE ACCESSIBLE TABLE TOP
- 7 MIN. 30" CLEAR WIDTH UNDER TABLE
- 8 MIN. 19" CLEAR DEPTH UNDER TABLE
- 9 MIN. 36" CLEAR BEHIND WHEELCHAIR
- 10 MIN. 30" WHEELCHAIR SPACE
- 11 MIN. 19" CLEAR DEPTH UNDER COUNTER TOP
- 12 MIN. 60" WIDE ACCESSIBLE COUNTER TOP
- 13 MIN. 36" CLEAR AISLE WIDTH
- 14 MIN. 44" ON "PUSH" SIDE OF DOOR
- 15 MIN. 18" STRIKE-EDGE CLEARANCE
- 16 MIN. 44" CLEARANCE ON BOTH SIDES OF DOOR IF DOOR SWINGS IN BOTH DIRECTIONS.
- 17 MIN. 36" WIDE SECTION OF POINT-OF-SALE COUNTER TO BE INSTALLED AT 28" TO 34" ABOVE THE FLOOR.
- 18 MIN. 36" WIDE EMPLOYEE ACCESS



**WHEELCHAIR SEATING SPACES**

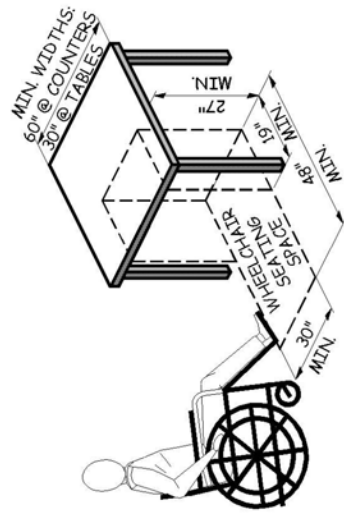
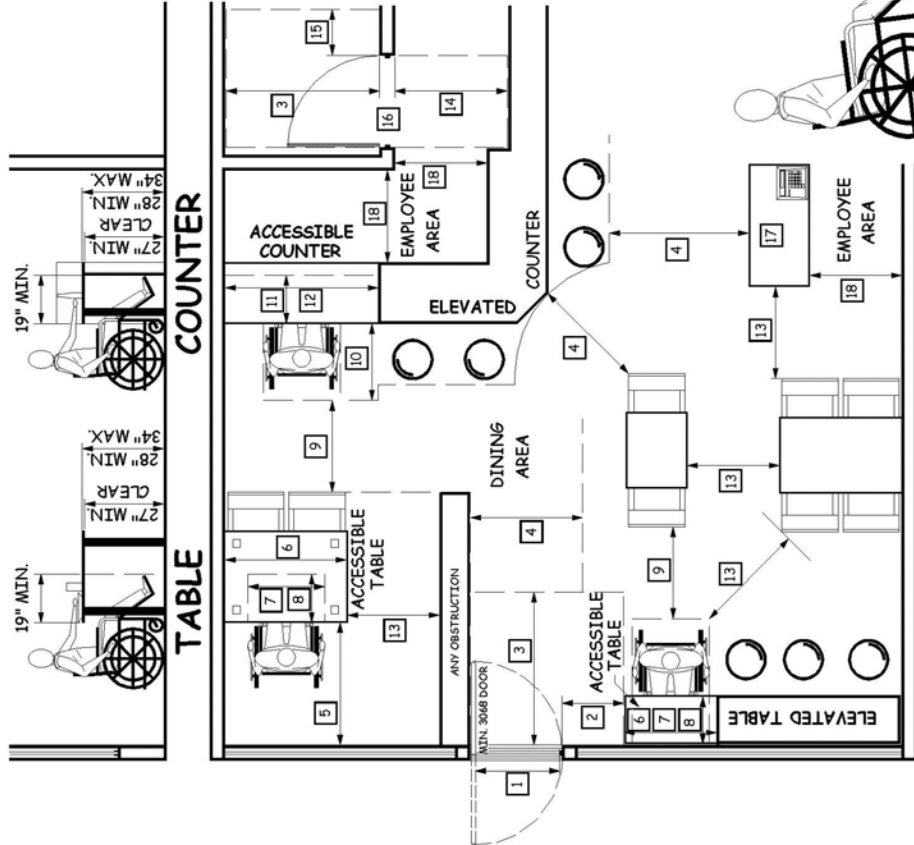
EACH DINING, BANQUET OR BAR AREA SHALL HAVE ONE (1) WHEELCHAIR SEATING SPACE FOR EACH (20) SEATS, WITH AT LEAST ONE (1) MINIMUM WHEELCHAIR SEATING SPACE PER FUNCTIONAL SEATING AREA.

EACH WHEELCHAIR SEATING SPACE SHALL BE MINIMUM 30" IN WIDTH BY MINIMUM 48" IN LENGTH.

UNDERTABLE & UNDERCOUNTER KNEE CLEARANCE SHALL BE PROVIDED AT EACH WHEELCHAIR SEATING SPACE AS FOLLOWS:  
MINIMUM 30" WIDE / MINIMUM 27" HIGH / MINIMUM 19" DEEP

NOTE:  
THE REQUIRED UNDERTABLE & UNDERCOUNTER CLEAR SPACE MUST BE FREE OF ANY OBSTRUCTIONS, SUCH AS TABLE LEGS, BASES, SUPPORTS OR HARDWARE.

WHERE MORE THAN ONE WHEELCHAIR SEATING SPACE IS REQUIRED IN A FUNCTIONAL SEATING AREA, SUCH SPACES SHALL BE INTEGRATED WITH GENERAL SEATING TO AVOID HAVING ONE AREA SPECIFICALLY HIGHLIGHTED AS THE AREA FOR PERSONS WITH DISABILITIES.



THIS STYLE OF TABLE IS WHEELCHAIR ACCESSIBLE AS IT PROVIDES THE REQUIRED UNDERTABLE CLEAR SPACE

**MINIMUM WHEELCHAIR CLEARANCES IN DRINKING & DINING AREAS**