

SUPPLEMENTAL REPORT

Date Prepared: 05/10/11

1. Original File No. P11068393	2.	3. Off ID 223	4. Dist. W	5. Crime-Ct.	6. Crime-Ct.	7. Crime-Ct.	8. Date/Time Occurred	9. Day			
10. Date/Time Assigned 05/10/11 2100	11. Date/Time Inv. Start 05/10/11 2100		12. Date/Time Inv. Term. 05/13/11 1000		13. Type Clr. EXL	14. Type Cont. REL	15. Additional Adults Arr.	16. Additional Juv. Arr.			
17. Address of Occurrence (Street No. - Name - City) Trailway Dr. W/O Counrtydale Rd. Rvsd							18. Type of Place Private Streets.				
For ID USE: V = Victim, I = Informant, W = Witness, O = Other											
19. ID:	20. Last Name - First - Middle (Firm Name if Business)						21. Race - Sex	22. DOB			
23. Residence Address			24. Business or School Address			25. Home Phone	26. Bus. Phone				
Comments:			E-mail Address			Cell Phone	Pager Number				
SUSPECT	35. LAST Name - First - Middle			36. Race - Sex	37. Age	38. Ht.	39. Wt.	40. Hr	41. Eyes	42. DOB or ID	43. Arrested <input type="checkbox"/> Yes <input type="checkbox"/> No
	44. Address - Clothing - Other Marks or Identifying Characteristics										
45. Juv. Other Disp: Juris. <input type="checkbox"/> 2		Juv. Ct. Prob. <input type="checkbox"/> 5		Within Dept. <input type="checkbox"/> 6		Detained <input type="checkbox"/> 1		Not Detained <input type="checkbox"/> 2			

ORIGINALLY REPORTED DOLLAR VALUES ARE CHANGED AS SHOWN BELOW

Cat.	A Currency Notes	B Jewelry Prec. Met.	C Clothing Furs	E Office Equip.	F T.V.-Radio Cameras	G Firearms	H Household Goods	I Consum. Goods	J Livestock	K Misc.
PS	\$	\$	\$	\$	\$	\$	\$	\$	\$	\$
57										
PR	\$	\$	\$	\$	\$	\$	\$	\$	\$	\$

60. Originally Reported Offenses (Code - Crime)					61. Original Offenses Changed to (Code - Crime)					58. Stolen Auto Value ASP: \$	
(1) 187 P.C. X 2					(1)					59. Recovered Auto Value A2 \$	
(2)					(2)						
(3)					(3)						

Reporting Officer T. Ellis	Reviewed By <i>[Signature]</i>	Copies To:	APR Sent:	APB Sent:
			APR Canx:	APB Canx:

VCLO ()	DOJ-NCIC Entered:	Cancelled:	ENTERED:	STATS:	ARBK:	ANK:	Page 1
-------------	-------------------	------------	----------	--------	-------	------	--------

Narrative of Supplemental Report:

On 05/10/11/ at approx 2000 hrs, I responded to the area of Trailway Dr. & Countrydale Rd. ref an OIS Double 187 p.c. investigation. Upon my arrival at approx 2015 hrs, I contacted Supervisor Fuller and was assigned to process the crime scene from the front yard area of 11540 Trailway Dr. to the driveway area of 11539 Trailway Dr. in the City of Riverside. I took digital photographs of the area and did a photo log (see attached photo logs). I located and collected items O-1 thru O-13 and completed a sketch (see attached diagram) of the area. I then assisted I.D. Technician S. Lane with the processing of the backyard at 11532 Trailway Dr. I cleared at approx 0735 hrs, and transported items O-1 thru O-13 to the Magnolia St. Station for further processing and placed them into my locked evidence cabinet. I then downloaded the digital photographs at the Magnolia St. Station Forensics Unit Office computer to a secured file format. On 05/13/11 at approx 0838 hrs, I removed items O-7, O-7A, O-7B, O-9 & O-13 from my locked evidence cabinet and took ten digital photographs of the items (see attached photo logs). I placed items O-7, O-7A, O-7B, O-9 & O-13 back into my locked evidence cabinet. On 05/13/11 at approx 1000 hrs, I removed items O-1 thru O-13 from my locked evidence cabinet and placed them into property via the Magnolia St. Station property lockers.



PHOTO-LOG RIVERSIDE POLICE DEPARTMENT

FILE: P11068393

ADDRESS: Trailway Dr. & Countrydale Rd.

DATE: 05/10/11

CRIME: 187 X 2 OIS

PAGE: 1

PHOTOGRAPHER: T. Ellis

Photo I.D. #	TIME	DIR	DESCRIPTION
B5B55395	2210	W	O/A of scene.
B5B55396		W	O/A of scene.
B5B55397		W	O/A of scene.
B5B55398		W	O/A of scene.
B5B55399		W	O/A of scene.
B5B55400		W	O/A of scene.
B5B55401		W	O/A of scene.
B5B55402		W	O/A of scene.
B5B55403		W	O/A of scene.
B5B55404		W	O/A of scene.
B5B55405		W	O/A of scene.
B5B55406		W	O/A of scene.
B5B55407		W	O/A of scene.
B5B55408		N	O/A of the front of 11531 Trailway Dr.
I 55409		N	C/U of the address of 11531 Trailway Dr.
B5B55410		N	O/A of the driveway at 11531 Trailway Dr.
B5B55411		N	O/A of the driveway at 11531 Trailway Dr.
B5B55412		W	O/A of scene.
B5B55413		E	O/A of scene.
B5B55414		E	O/A of scene.
B5B55415		E	O/A of scene.
B5B55416		W	O/A of scene.
B5B55417		S/E	O/A of scene.
B5B55418		N	O/A of the front of the residence at 11531 Trailway Dr.
B5B55419		N	O/A of the Livingroom at 11531 Trailway Dr.
B5B55420		W	O/A of the Livingroom leading to the downstairs bedroom at 11531 Trailway Dr.
B5B55421		N/W	O/A of the downstairs bedroom at 11531 Trailway Dr.
B5B55422		S/W	O/A of the downstairs bedroom at 11531 Trailway Dr.
B5B55423		S/E	O/A of the downstairs bedroom at 11531 Trailway Dr.
B5B55424		N/E	O/A of the downstairs bedroom at 11531 Trailway Dr.
B5B55425		N	O/A of the downstairs bedroom at 11531 Trailway Dr.
B5B55426		W	O/A of the downstairs bedroom at 11531 Trailway Dr.
I 55427		W	O/A of the downstairs bedroom at 11531 Trailway Dr.
B5B55428		S	O/A of the downstairs bedroom at 11531 Trailway Dr.
B5B55429		W	C/U of medication on night stand in the downstairs bedroom at 11531 Trailway Dr.
B5B55430	2243	S	O/A of the downstairs bedroom bathroom at 11531 Trailway Dr.

KEY=(C/U=Close-up) (M/S=Medium shot) (O=Overall shot) (R/S=Right side) (L/S=Left side)



PHOTO-LOG RIVERSIDE POLICE DEPARTMENT

File #: P11068393

ADDRESS: Trailway Dr. & Countrydale Rd.

DATE: 05/10/11

CRIME: 187 X 2 OIS

PAGE: 2

PHOTOGRAPHER: T. Ellis

Photo I.D. #	TIME	DIR	DESCRIPTION
B5B55431	2243	E	O/A of the closet of the downstairs bedroom at 11531 Trailway Dr.
B5B55432		S	O/A of the downstairs bedroom bathroom at 11531 Trailway Dr.
B5B55433		W	O/A of the downstairs bedroom bathroom at 11531 Trailway Dr.
B5B55434		W	O/A of the white Chrysler PT Cruiser 2dr [REDACTED] in front of 11523 Trailway Dr.
B5B55435		W	O/A of the license plate [REDACTED] of white PT Cruiser.
B5B55436		S/W	O/A of the white Chrysler PT Cruiser 2dr [REDACTED] in front of 11523 Trailway Dr.
B5B55437		E	O/A of the white Chrysler PT Cruiser 2dr [REDACTED] in front of 11523 Trailway Dr.
B5B55438		N	O/A of the white Chrysler PT Cruiser 2dr [REDACTED] in front of 11523 Trailway Dr.
B5B55439		W	O/A of white Ford F-150 pu (Ca lic [REDACTED]) in front of 11524 Trailway Dr.
B5B55440		S	O/A of white Ford F-150 pu (Ca lic [REDACTED]) in front of 11524 Trailway Dr.
B5B55441		S/E	O/A of white Ford F-150 pu (Ca lic [REDACTED]) in front of 11524 Trailway Dr.
B5B55442		S/E	C/U of license plate [REDACTED] of white Ford F-150 pu.
B5B55443		N/E	O/A of white Ford F-150 pu (Ca lic [REDACTED]) in front of 11524 Trailway Dr.
B5B55444		N/W	O/A of white Hino Box end truck (Ca LIC [REDACTED]) in front of 11532 Trailway Dr.
I 55445		N/W	C/U of license plate [REDACTED] of white Hino box end truck.
B5B55446		S	O/A of white Hino Box end truck (Ca LIC [REDACTED]) in front of 11532 Trailway Dr.
B5B55447		E	O/A of white Hino Box end truck (Ca LIC [REDACTED]) in front of 11532 Trailway Dr.
B5B55448		N/E	O/A of white Hino Box end truck (Ca LIC [REDACTED]) in front of 11532 Trailway Dr.
B5B55449		N	O/A of black Toyota Tundra pu (Ca lic [REDACTED]) in front of 11531 Trailway Dr.
B5B55450		W	O/A of black Toyota Tundra pu (Ca lic [REDACTED]) in front of 11531 Trailway Dr.
B5B55451		W	C/U of license plate [REDACTED] of black Toyota Tundra pu.
B5B55452		S/W	O/A of black Toyota Tundra pu (Ca lic [REDACTED]) in front of 11531 Trailway Dr.
B5B55453		E	O/A of black Toyota Tundra pu (Ca lic [REDACTED]) in front of 11531 Trailway Dr.
B5B55454		W	O/A of items O-1 thru O-3 on the front grass of 11514 Trailway Dr.
B5B55455		S/W	O/A of items O-1 thru O-3 on the front grass of 11514 Trailway Dr.
B5B55456		W	O/A of items O-1 thru O-3 on the front grass of 11514 Trailway Dr.
B5B55457		W	O/A of items O-4 & O-5 on the driveway area of 11523 Trailway Dr.
B5B55458		W	O/A of item O-6 on the driveway and sidewalk area of 11531 Trailway Dr.
B5B55459		N/W	O/A of item O-6 on the driveway and sidewalk area of 11531 Trailway Dr.
B5B55460		W	O/A of items A & B in front of 11531 Trailway Dr.
B5B55461		W	O/A of item O-7 in the grass area of 11531 Trailway Dr.
B5B55462		W	O/A of items A & B in front of 11531 Trailway Dr.
I 55463		N/W	O/A of items C & O-8 in the driveway of 11539 Trailway Dr.
B5B55464		N/W	O/A of item O-8 in the driveway of 11539 Trailway Dr.
B5B55465		N	O/A of item C to the garage door at 11539 Trailway Dr.
B5B55466	2310	Down	C/U of item O-1.

KEY=(C/U=Close-up) (M/S=Medium shot) (O=Overall shot) (R/S=Right side) (L/S=Left side)



PHOTO-LOG RIVERSIDE POLICE DEPARTMENT

FILE: P11068393

ADDRESS: Trailway Dr. & Countrydale Rd.

DATE: 05/10/11

CRIME: 187 X 2 OIS

PAGE: 3

PHOTOGRAPHER: T. Ellis

Photo I.D. #	TIME	DIR	DESCRIPTION
B5B55467	2310	Down	C/U of item O-2.
B5B55468		Down	C/U of item O-3.
B5B55469		Down	C/U of item O-4.
B5B55470		Down	C/U of item O-5.
B5B55471		Down	C/U of item O-6.
B5B55472		Down	C/U of item O-7.
B5B55473		Down	C/U of item O-8.
B5B55474		Down	C/U of item A.
B5B55475		W	C/U of item B.
B5B55476		N	C/U of item C.
B5B55477		S/W	O/A of item O-9 in the downstairs bedroom bathroom at 11531 Trailway Dr.
B5B55478		W	C/U of item O-9 in the downstairs bedroom bathroom at 11531 Trailway Dr.
B5B55479		Down	C/U of item O-9 in the downstairs bedroom bathroom at 11531 Trailway Dr.
B5B55480		Down	C/U of item O-10 in the downstairs bedroom night stand at 11531 Trailway Dr.
I 55481		Down	C/U of item O-11 on the downstairs night stand at 11531 Trailway Dr.
B5B55482		W	O/A of items O-10 & O-11 in the downstairs bedroom at 11531 Trailway Dr.
B5B55483		Down	O/A of medication in the downstairs bedroom bathroom at 11531 Trailway Dr.
B5B55484		W	O/A of items O-1 thru O-3 & O-12 on the front grass of 11514 Trailway Dr.
B5B55485		Down	C/U of item O-12 on the front grass of 11514 Trailway Dr.
B5B55486		S/W	O/A view from the driveway of 11531 Trailway Dr. towards 11532 Trailway Dr.
B5B55487		N/E	O/A view from the driveway of 11532 Trailway Dr. towards 11531 Trailway Dr.
B5B55488		W	O/A hight of item B.
B5B55489		W	C/U hight of item B.
B5B55490		N	O/A hight of item C.
B5B55491		N	C/U hight of item C.
B5B55492		N/W	O/A view from the front of 11514 Trailway Dr. towards 11531 Trailway Dr.
B5B55493		N/W	O/A view from infront of 11514 Trailway Dr. towards 11531 Trailway Dr.
B5B55494		S/E	O/A view from the driveay of 11531 Trailway Dr. towards 11514 Trailway Dr.
B5B55495		S/W	O/A view from the driveway of 11531 Trailway Dr. towards 11532 Trailway Dr.
B5B55496		S/W	O/A of black Toyota Tundra pu (Ca lic [redacted] infront of 11531 Trailway Dr.
B5B55497		S/W	C/U of license plate [redacted] of black Toyota Tundra pu.
B5B55498		S	O/A of item O-13 in the black Toyota Tundra pu (Ca lic [redacted])
I 55499	0726	S	C/U of item O-13 in the black Toyota Tundra pu (Ca lic [redacted])

KEY=(C/U=Close-up) (M/S=Medium shot) (O=Overall shot) (R/S=Right side) (L/S=Left side)



PHOTO-LOG RIVERSIDE POLICE DEPARTMENT

IDENTIFICATION: P11068393 **ADDRESS:** Magnolia St. Station, Forensics Unit Lab. **DATE:** 05/13/11

CRIME: 187 X 2 OIS **PAGE:** 4 **PHOTOGRAPHER:** T. Ellis

Photo I.D. #	TIME	DIR	DESCRIPTION
B5D56351	0838		O/A of items O-7, O-7A & O-7B.
B5D56352			O/A of items O-7, O-7A & O-7B.
B5D56353			C/U of items O-7 & O-7A.
B5D56354			C/U of item O-7A.
B5D56355			C/U of item O-7B.
B5D56356			C/U of item O-7B.
B5D56357			C/U of items O-7 & O-7A.
B5D56358			C/U of serial no# [REDACTED] from item O-7
B5D56359			O/A of item O-13.
B5D56360	0845		O/A of item O-9.

Public Records Act Request

RIVERSIDE POLICE DEPT

ROZ 6/5/2012 3:02:50 PM Unauthorized Release PROHIBITED

KEY=(C/U=Close-up) (M/S=Medium shot) (O=Overall shot) (R/S=Right side) (L/S=Left side)

EVIDENCE LOG

FILE: P11068393
 DATE: 05/10/11
 LOCATION: Trailway Dr. & Countrydale Rd.
 TECHNICIAN: T. Ellis

P.O.R. # 1. is a concrete Street light pole
 P.O.R. # (no#SL507673) located
 P.O.R. # 2. is the N/W downstairs bedroom @
 P.O.R. # 11531 Trailway Dr.
 P.O.R. #
 P.O.R. #

EVID NUM	COLL TIME	DESCRIPTION OF EVIDENCE	POR	N	S	E	W	HT
O-1	0139	(1) Winchester 40 S&W spent casing.	1		6'8"		6'10"	
O-2	0140	(1) Winchester 40 S&W spent casing.	1		11'3"		3'2"	
O-3	0141	(1) Winchester 40 S&W spent casing.	1		11'9"		10'8"	
O-4	0143	(1) pair of Smith & Wesson M-100 handcuffs (serial no# [REDACTED])	1	44'10"			13'1"	
O-5	0144	(1) Swab sample of possible blood & (1) Control swab.	1	41'11"			15'6"	
O-6	0146	(1) Swab sample of possible blood & (1) Control swab.	1	44'3"			104'9"	
O-7	0147	(1) black Ruger P95 9mm X19 semi auto handgun, serial no# [REDACTED]	1	48'7"			117'6"	
O-7A	0147	(1) Hornaday 9mm luger spent casing. Removed from the chamber of item O-7.	1					
O-7B	0147	(1) black & stainless steel Ruger 9mm magazine containing (9) Hornaday 9mm luger live rounds. Removed from item O-7.	1					
O-8	0156	(1) copper & lead projectile.	1	57'			165'11"	
O-9	2354	(1) black cloth handgun bag, (1) white Stater Bros plastic bag & (1) box of Fiochi bullets containing (38) live rounds inside. From the downstairs N/W bedroom bathroom drawer at 11531 Trailway Dr.	2					
O-10	2355	(1) black plastic Ruger P95PR handgun case with lock inside. From the downstairs N/W bedroom night stand drawer at 11531 Trailway Dr.	2					
O-11	2356	(6) plastic medication bottles to Virgil Millon. From on top of the downstairs N/W bedroom night stand at 11531 Trailway Dr.	2					
O-12	0142	(1) Winchester 40 S&W spent casing.	1		10'		5'4"	

**KEY: POR= POINT OF REFERENCE, N = NORTH, S = SOUTH, E = EAST, W = WEST, HT = HEIGHT
 COLL. TIME = COLLECTION TIME, EVID. NUM= EVIDENCE ITEM NUMBER**

EVIDENCE LOG

FILE: P11068393
DATE: 05/10/11
LOCATION: Trailway Dr. & Countrydale Rd.
TECHNICIAN: T. Ellis

P.O.R. # 3. is a black Toyota Tundra pu (8U49412)
P.O.R. # parked in front of 11531 Trailway Dr.
P.O.R. #
P.O.R. #
P.O.R. #
P.O.R. #

EVID NUM	COLL TIME	DESCRIPTION OF EVIDENCE	POR	N	S	E	W	HT
O-13	0728	(1) box of Hornaday Critical Defense bullets containing (4) Hornaday 9mm luger live rounds inside. From the pass/side front seat of black Toyota Tundra Pu.	3					
		O = Outside						

**KEY: POR= POINT OF REFERENCE, N = NORTH, S = SOUTH, E = EAST, W = WEST, HT = HEIGHT
COLL. TIME = COLLECTION TIME, EVID. NUM= EVIDENCE ITEM NUMBER**

**Riverside Police Department
PROPERTY REPORT**

File No. P11068393	Date/Time 05/10/11 -17:57
-----------------------	------------------------------

Type of Complaint 187 - MURDER		Address 11532 TRAILWAY DR			
Victim BRADFORD, ARABELLA	DOB [REDACTED]	Sex F	Race Black	Address	
Arrestee / Suspect MILLON, VIRGIL ANTHONY	DOB [REDACTED]	Sex M	Race Black	Address - RIVERSIDE CA	
Arrestee / Suspect	DOB	Sex	Race	Address	
Arrestee / Suspect	DOB	Sex	Race	Address	
Finder	DOB	Sex	Race	Address	Phone No.
By Officer(s) T. Ellis	ID No. 223	Supvr. Approving [Signature]	RMC/RSC Case No.		Property Clerk

Item	Owner	Itemize, Describe, List Serial Numbers... Only 1 Article per line	Prop. Loc.	Rel. Dispo
O-1		(1) Winchester 40 S&W spent casing.	RET	
O-2		(1) Winchester 40 S&W spent casing.	RET	
O-3		(1) Winchester 40 S&W spent casing.	RET	
O-12		(1) Winchester 40 S&W spent casing.	RET	
O-4		(1) pair of Smith & Wesson M-100 Handcu [REDACTED]	RET	
O-5		(1) Swab sample of possible blood & (1) Control swab.	RET	
O-6		(1) Swab sample of possible blood & (1) Control swab.	RET	
O-7		(1) black Ruger P95 9mm X19 semi auto handgun, serial no [REDACTED]	RET	
O-7A		(1) Hornaday 9mm luger spent casing.	RET	
7B		(1) Black & stainless steel Ruger 9mm magazine containing (9) Hornaday 9mm luger live rounds.	RET	
O-8		(1) Copper & lead projectile.	RET	
O-9		(1) black cloth handgun bag, (1) white Stater Bros plastic bag with (1) box of FIOCCHI bullets (38 bullets inside).	RET	
O-10		(1) black plastic Ruger P95PR Handgun case with gun lock inside.	RET	
O-11		(6) plastic Medication bottles to Virgil Millon.	RET	
O-13		(1) box of Hornaday Critical Defense bullets containing (4) Hornaday 9mm luger live rounds.	RET	

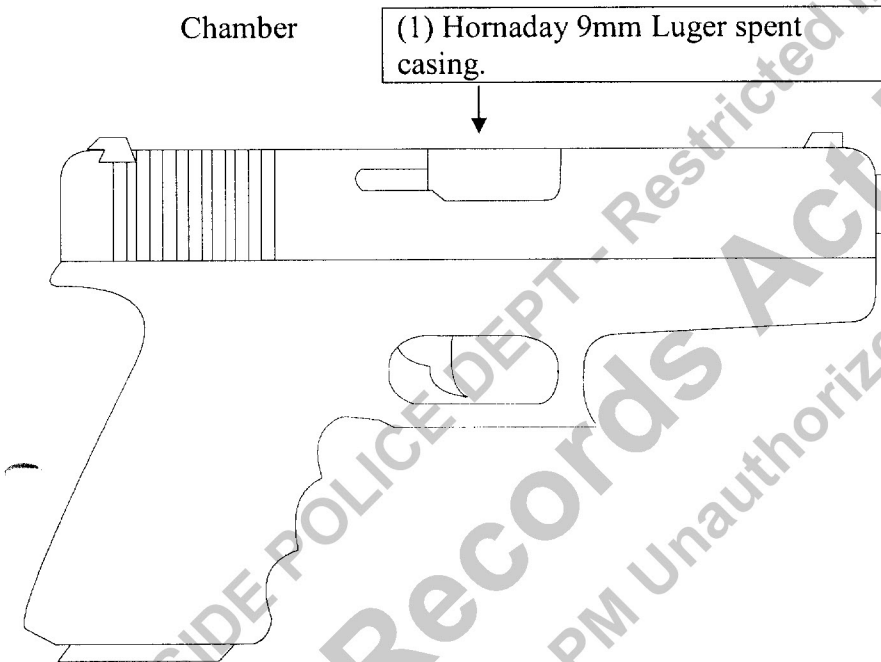
* Last Item *



**CITY OF RIVERSIDE POLICE DEPARTMENT
IDENTIFICATION SECTION**

FILE#: P11068393	CRIME: 187 X 2 OIS
DATE: 05/10/11	I.D. TECH: T. Ellis
TIME: 0147	OFFICER: None

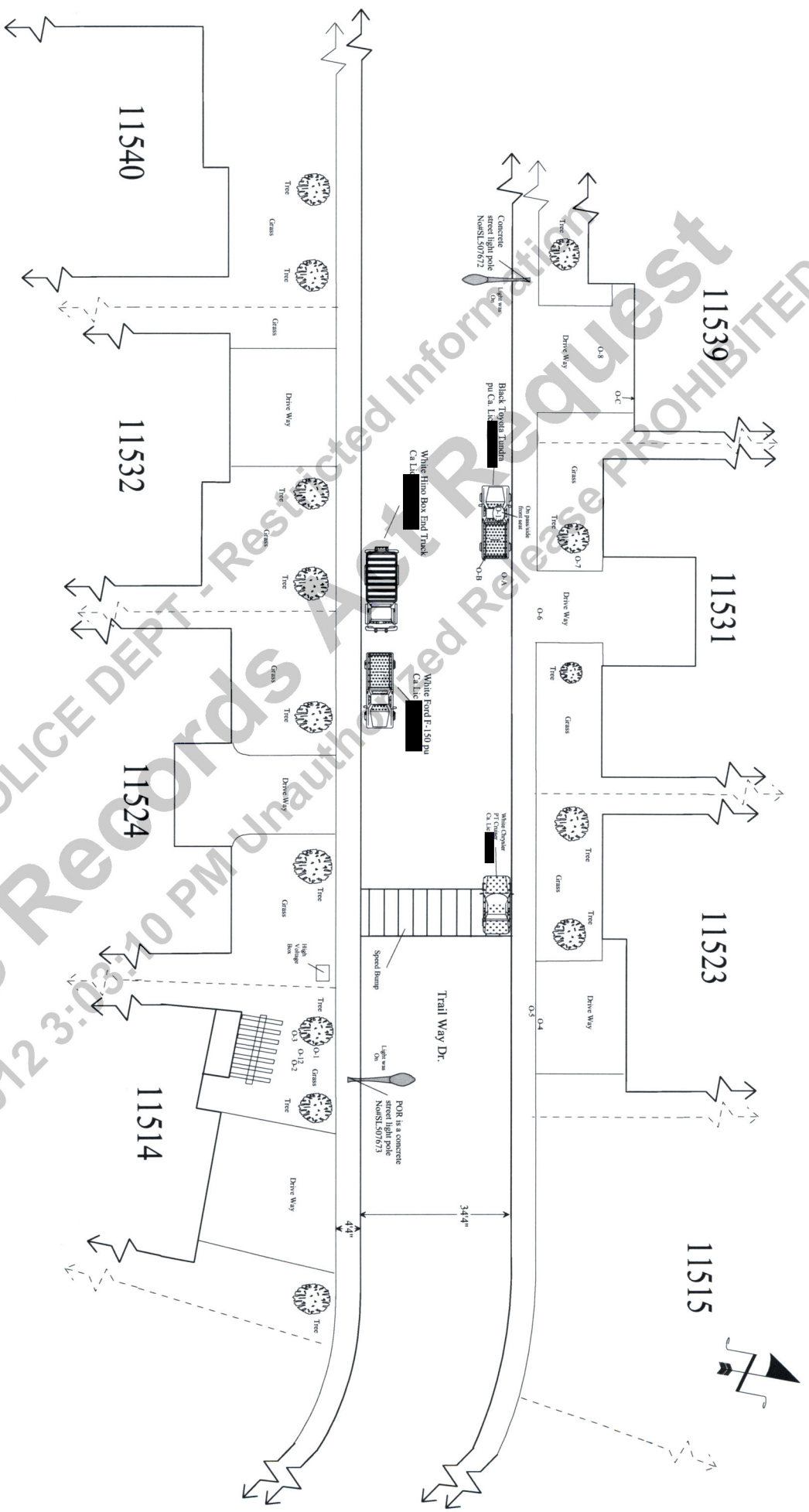
SEMI-AUTO PISTOL CHART FORM



Magazine:
Hornaday 9mm Luger live round.
Hornaday 9mm Luger live round.
Hornaday 9mm Luger live round.
Hornaday 9mm Luger live round.
Hornaday 9mm Luger live round.
Hornaday 9mm Luger live round.
Hornaday 9mm Luger live round.
Hornaday 9mm Luger live round.
Hornaday 9mm Luger live round.
Hornaday 9mm Luger live round.
Total of nine live rounds in magazine.

Brand Name: Ruger	Hammer Position: Down (not cocked).
Serial No: [REDACTED]	Safety Position: Off
Model: P95 9mmX 19	Other Descriptive Info:
Caliber: 9mm	Location Found (How Received): On grass area at 11531 Trail Way (At scene).

Additional Remarks: The Magazine was Partially ejected from the handgun. The slide was all the way forward and upon clearing the handgun a spent casing was removed from the chamber. The handgun was marked as item O-7, The spent casing removed from the chamber of the handgun was marked as item O-7A and the magazine (containing nine Hornaday 9mm luger live rounds) that was removed from the handgun was marked as item O-7B.



File No#: P11068393 Date: 05/10/11 Crime: 187 X 2 OIS Location: 11532 Trail Way Dr.
 Scene Det. Officer E. Hibbard Drawn By: T. Ellis Scale: 3/32 = 1' For Location and Description
 of Evidence Items see attached Evidence Log.

RIVERSIDE POLICE DEPT - Restricted Information Request - Release PROHIBITED
 PUBLIC RECORDS REQUEST 2012 3:03:40 PM Unauthorized Release Prohibited