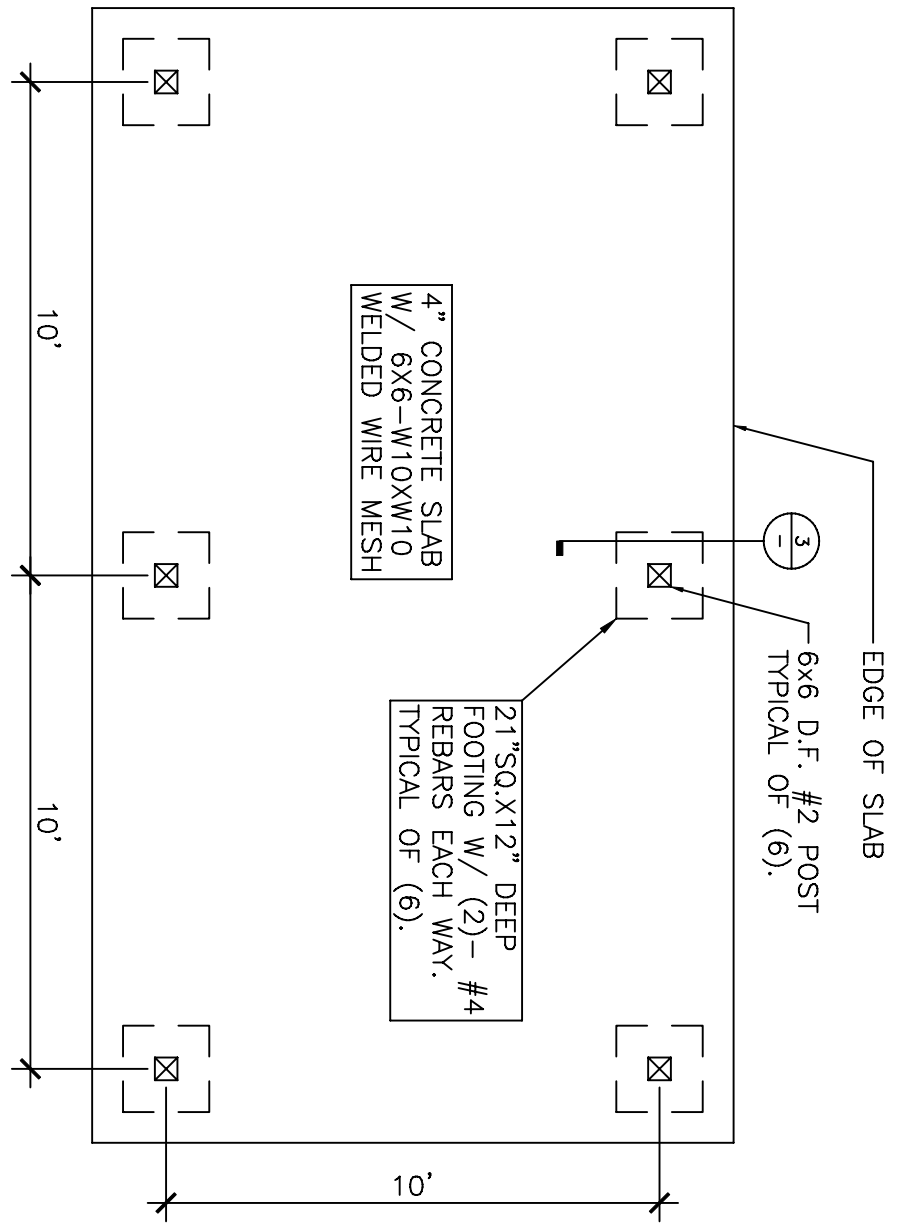
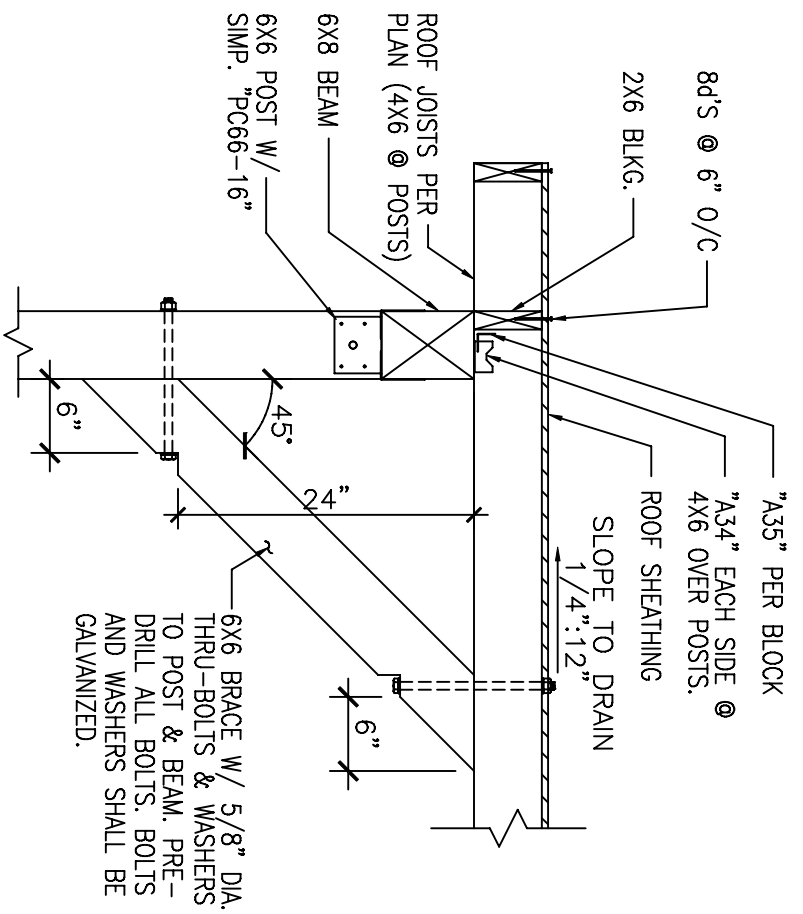


ROOF SHEATHING SHALL BE 15/32" C-D PLYWOOD W/ 8D COMMON NAILS @ 6" O/C ON EDGES & 12" O/C IN THE FIELD



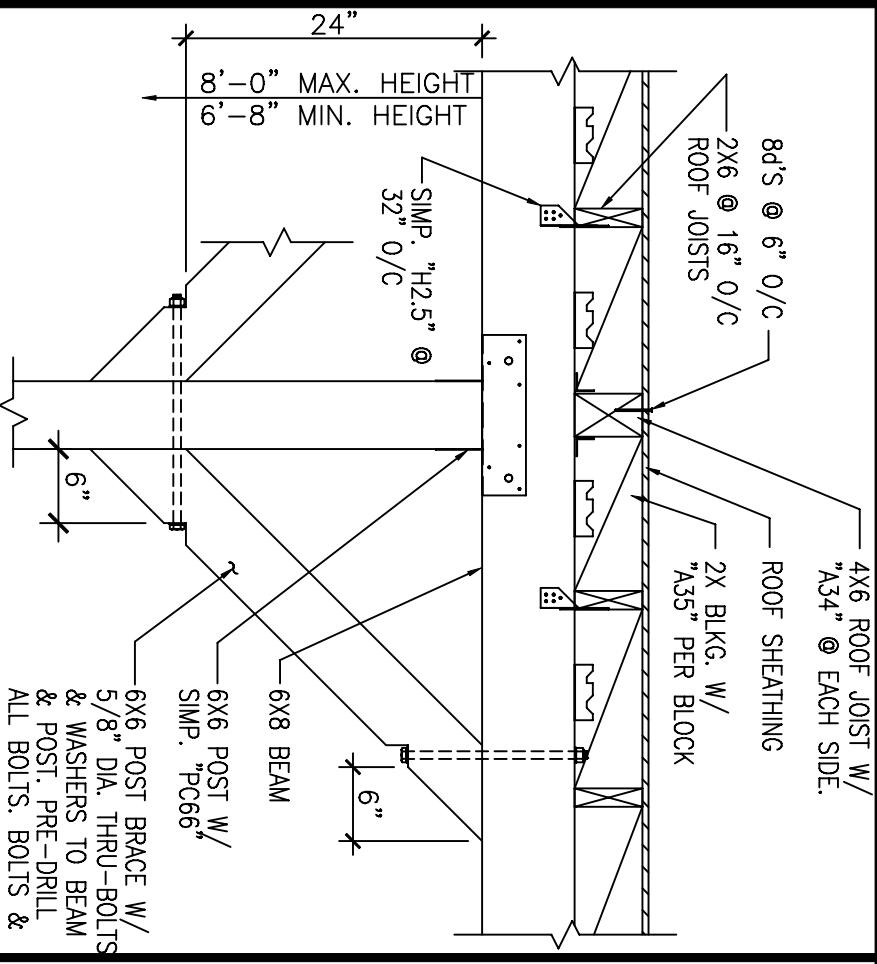
ROOF FRAMING PLAN

FOUNDATION PLAN



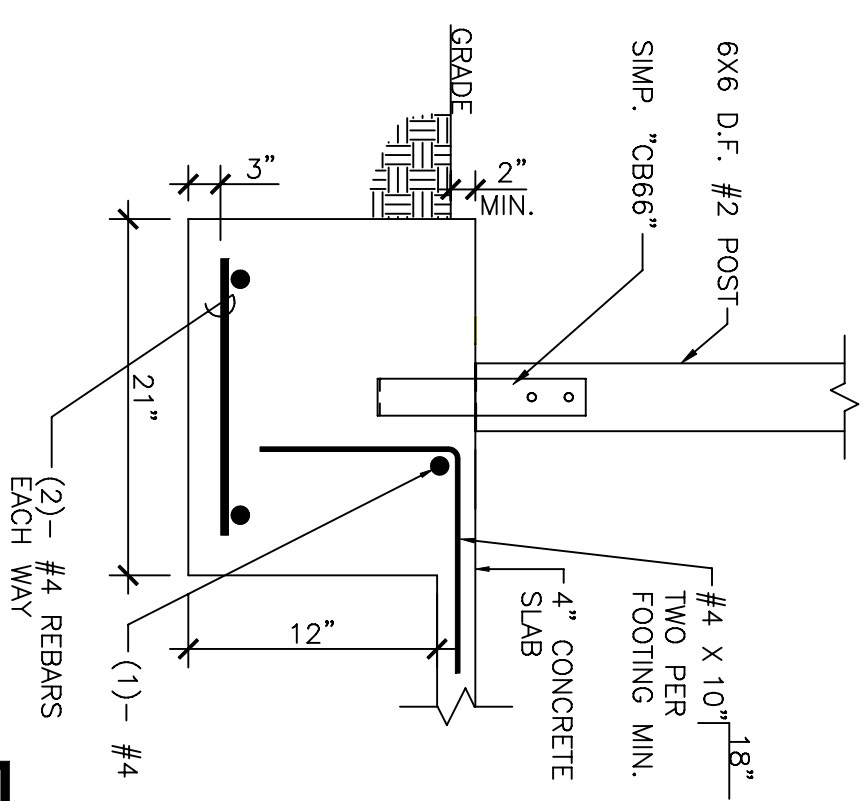
TYPICAL AT ALL POSTS (BEAM END VIEW)

1



TYPICAL BRACE DETAIL (BEAM FACE VIEW)

2



CONNECTION AT FOUNDATION

3



CITY OF RIVERSIDE
BUILDING & SAFETY DIVISION
STANDARD STRUCTURAL
CARPORT PLANS

SCALE	NONE	
BK DRAWN	08/2003	
DATE		
REV.	DATE	APPR.
1		
2		
3		
4		
5		

CARPORT PLANS

RSD-5.0

SHEET